



**110052**  
**EZ-HAUL EXTRA LARGE DOUBLE**  
**DECK WAGON**

12855



©2019 FarmTek®  
All Rights Reserved. Reproduction  
is prohibited without permission.

STK#	Description
110052	Double Deck Wagon 20" Wide x 38" Long

## CARTS AND WAGONS



### READ THIS DOCUMENT BEFORE YOU BEGIN

Thank you for purchasing this wagon. When properly assembled and maintained, this product will provide years of reliable service. These instructions include helpful hints and important information needed to safely assemble and properly maintain the wagon. Please read these instructions **before** you begin.

If you have any questions during the assembly, contact customer service for assistance.

### SAFETY PRECAUTIONS

- **Do not** use the wagon if any part is broken or damaged.
- *This wagon is not a toy. Do not* allow children to use the wagon.
- **Do not** use on inclines; wagon may tip or roll away.
- **Do not** load your wagon with more than **330 pounds**. Distribute heaviest items on lower deck; place lighter items on upper deck.
- Inflate the tires with ambient air only.
- Inflate the tires to the proper level as indicated on the tires.
- **Never** use a flammable gas to inflate the tires.
- **Never** allow riders on either wagon bed.
- *Always* place the heaviest items on the lower deck.
- **Never** load items on the upper deck only.
- *Never* place heavy items on the upper deck!

**MAXIMUM LOAD: 330 LBS.**

### CARE AND MAINTENANCE

- Periodically check nuts and bolts to make sure they are tight and secure.
- Clean the wagon using water and mild soap. Rinse with water sprayed from a garden hose.
- Inspect the wheel locknuts and verify that they are in position, secure, and in good condition.
- Check the tire pressure and adjust to recommended pressure if needed.
- Lubricate the steering linkage with a light-weight oil if needed.

### REQUIRED TOOLS

The following list identifies the main tools needed for assembly. *Two (2) people are recommended to assemble the wagon.*

- Metric and standard wrenches and socket set
- Pliers to bend cotter pin

### UNPACK AND IDENTIFY PARTS

The following steps will ensure that you have all the necessary parts before you begin to assembly.

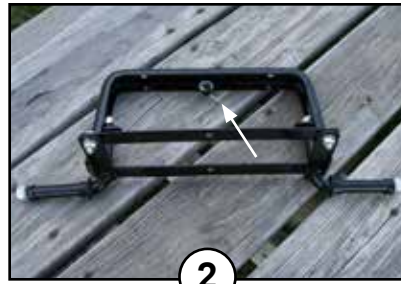
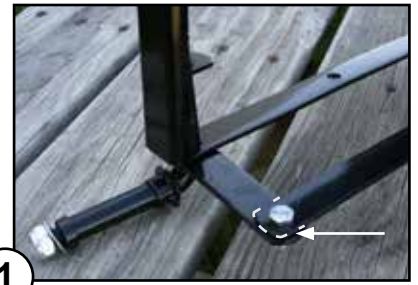
1. Unpack the contents of the shipment and place where you can easily inventory the parts. *Compare the shipped parts with those shown at the bottom of each page of these instructions.*
2. If anything is missing or you have questions, contact customer service.

# 1










## ASSEMBLE FRONT AXLE

The following steps show how to assemble the front axle.

1. Take the front axle and the tie bar and connect them using two (2) 3/4" x 8mm hex head bolts, locknuts, and flat washers. Position the tie bar *on top* of each front axle link, insert each bolt through the tie bar and through the axle link, and add the washer and locknut. *Do not overtighten the bolts*. Linkage must remain free to turn wagon.
2. Tilt the assembly and remove the cotter pin and washer from the steering yoke mounting stud.
3. With assistance, slide the steering yoke into position and insert the mounting stud through the hole in the yoke. Position the long section (two holes) of the yoke *under* the axle bar and tie bar of the assembly.
4. Secure the yoke to the stud using the washer and cotter pin removed in Step 2.
5. Align the two mounting holes of the yoke with the holes in the tie bar and axle bar.
6. Insert the remaining 3/4" x 8mm hex head bolt, washer, and locknut through the *tie bar mounting hole* and mounting hole in the steering yoke. Install washer against the locknut.



### Parts List and Tools Required

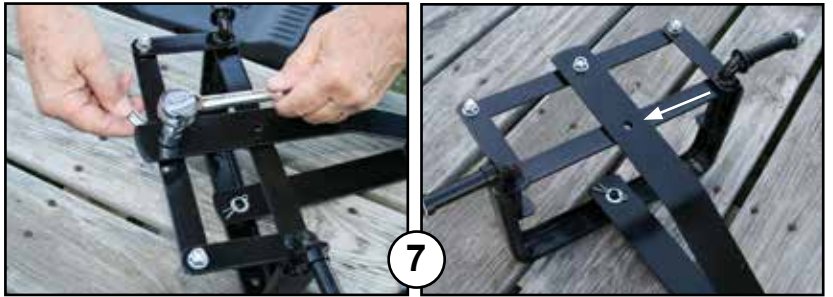
 Wrenches	 Tie Bar	 3/4" x 8mm Hex Head Bolts (3)
 Socket and Ratchet Set	 Front Axle	 8mm Flat Washers (3)
 Pliers	 Steering Yoke	 8mm Locknuts (3)



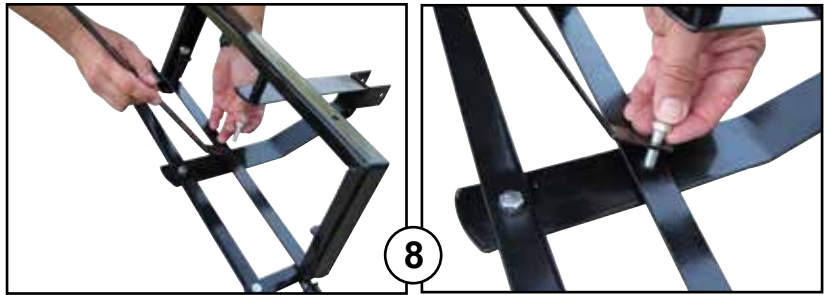
1

ASSEMBLE FRONT AXLE  
(continued)

7. Tighten the bolt. Do not overtighten. Linkage must remain free so wagon can turn. Align final mounting hole in axle bar with the mounting hole in the steering yoke.

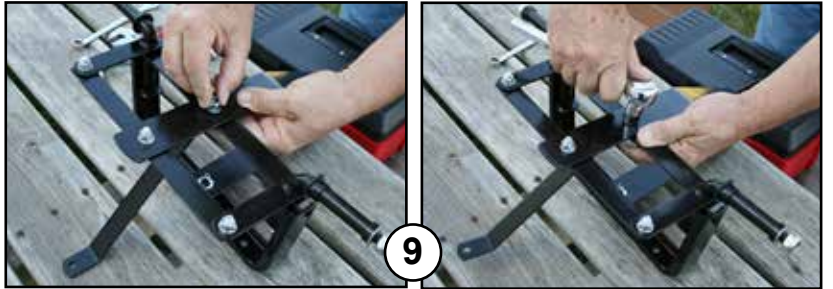


8. Take the front axle brace and the 1" x 8mm hex head bolt and insert the bolt through the single hole in the axle brace, the axle bar, and the steering yoke. This bolt secures three different components.

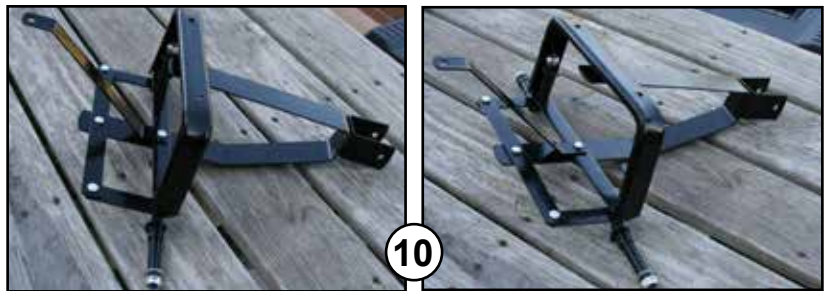


**NOTE:** If the bolt is too short, verify that you used the three shortest bolts to attach the tie bar in Steps 1-6.

9. Add the flat washer and locknut and tighten. Do not overtighten. *Steering linkage must remain loose for the wagon to turn.*



10. Verify that the axle is assembled as shown in the photos. Check all bolts to ensure they are tightened properly.



**NOTE:** To ensure that the steering linkage is free to allow the wagon to turn, tighten each bolt until snug and then loosen 1/4 to 1/2 a turn. Washers should remain snug against the linkage, but should not rattle. Check the operation and adjust bolts as needed. Apply a drop of light oil at each connection if needed to lubricate the joints.



Parts List and Tools Required



Wrenches



Socket and Ratchet Set



Front Axle Brace (1)



1" x 8mm Hex Head Bolt (1)



8mm Flat Washer (1)

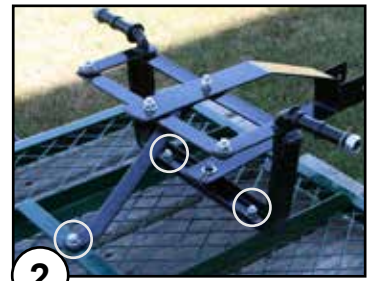
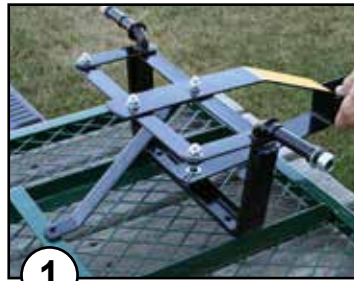


8mm Locknut (1)

# 2

## ATTACH FRONT AXLE TO WAGON BED

1. Position the wagon bed on a flat, level surface. With assistance, place the axle assembly on the bed and align all mounting holes.
2. Insert three 3/4" x 8mm bolts through the bed and through the mounting holes of the axle assembly, add flat washers, and locknuts.
3. Tighten bolts using a ratchet and socket and wrench.



To prevent damage to the bolts, do not overtighten. Bolts should be snug. All nuts will be on the underside of the cart bed when installed correctly.



**ATTENTION:** Position all locknuts and washers on the underside of the cart bed as shown.



### Parts List and Tools Required



Wrenches



Socket and Ratchet Set

Front Axle Assembly



Wagon Bed



3/4" x 8mm Hex Head Bolts (3)



8mm Flat Washers (3)



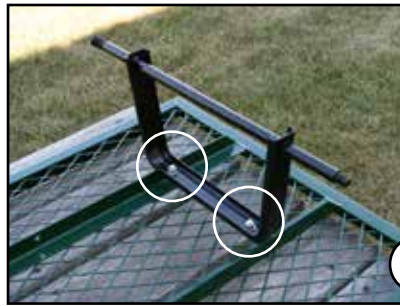
8mm Locknuts (3)



# 3

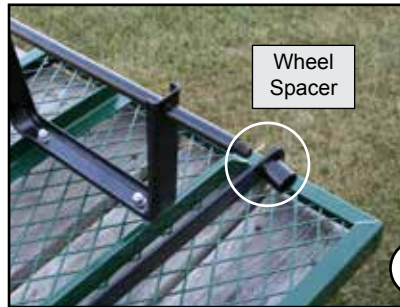
## ATTACH REAR AXLE AND BRACES TO WAGON BED

1. Take the rear axle, align its mounting holes with the mounting holes of the bed and insert the two 3/4" x 8mm hex head bolts. Add the washers and locknuts and tighten to secure. *Do not overtighten.*



**NOTE:** Remove the rear axle wheel nuts and washers and set aside to use later.

2. With the rear axle secure, slide one rear axle brace onto the rear axle. Position the brace as shown so the wheel spacer attached to brace is to the outside. Verify that mounting hole at the end of the brace aligns with the mounting hole in the wagon bed.



3. Install a 3/4" x 6mm hex head bolt through the bed and brace and secure with lockwasher, flat washer and locknut. Tighten nut. Repeat the steps to install and secure the remaining brace.



4. Check all bolts that secure axles and braces to the wagon bed to verify they are tight. To prevent damage to the wagon bed, do not overtighten the bolts. Bolts should be snug.



**ATTENTION:** Position all locknuts and washers on the underside of the wagon.



### Parts List and Tools Required



Wrenches



Socket and Ratchet Set



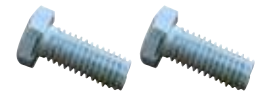
Rear Axle (1)



Rear Axle Braces (2)



3/4" x 6mm Hex Head Bolts (2)



3/4" x 8mm Hex Head Bolts (2)



6mm Lockwashers (2)



8mm Flat Washers (2)



6mm Flat Washers (2)



6mm Nuts (2)



8mm Locknuts (2)

## 4

## ATTACH WHEELS

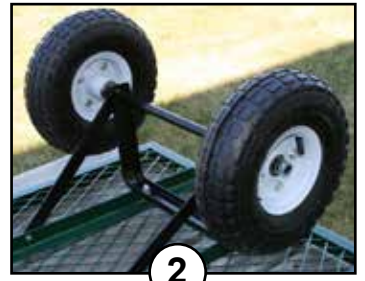
1. Remove the front axle wheel nuts and washers\* and set them aside. Take one wheel, position the valve stem to the outside, and slide the wheel onto the axle.
2. Slide one flat washer over the axle and add the locknut.
3. Using a socket and ratchet, tighten locknut until snug.

**NOTE:** Wheel should spin freely on the axle. If the wheel does not spin or stops suddenly, loosen the wheel nut 1/8 to 1/4 of a turn. The threads of the axle must remain within the locking collar of the locknut. **DO NOT LOOSEN TOO MUCH!**

4. Repeat the steps as needed to attach all remaining wheels. Verify that all valve stems are to the outside.
5. Check tire pressure in all tires. Adjust as needed.



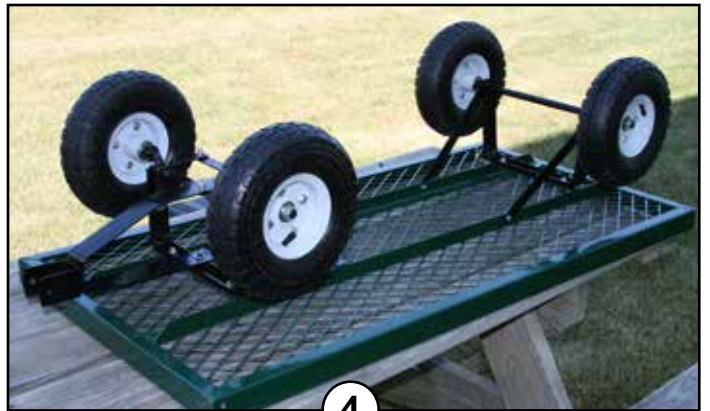
1



2



3



4

**Parts List and Tools Required**

\*Axle locknuts and flat washers are shipped from the factory attached to the front and rear axles.



Socket and Ratchet Set



Wheels (4)

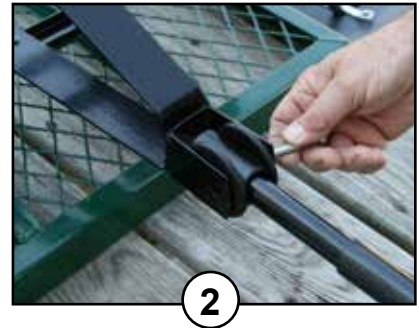


5

ATTACH ADJUSTABLE HANDLE

1. Take the handle and coupler, determine the desired handle position, and align the mounting holes of the two components.
2. Slide the handle and coupler into the steering yoke, align the holes of all components, and insert the 2-1/2" x 8mm hex head bolt through the holes.
3. Add the flat washer and locknut and tighten.

**NOTE:** Handle and coupler should travel freely without binding in the yoke. Tighten or loosen the bolt to achieve the desired result.



Parts List and Tools Required



Wrenches



8mm Locknut (1)



8mm Flat Washer (1)



2-1/2" x 8mm  
Hex Head Bolt (1)



Coupler (1)



Socket and Ratchet Set



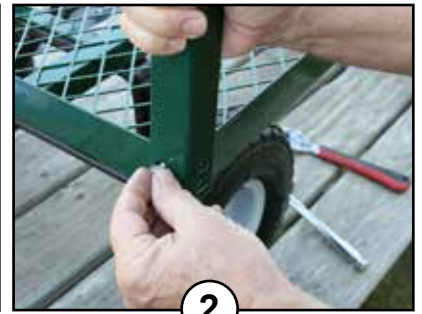
Handle (1)



# 6

## INSTALL CORNER SUPPORT BRACKETS

1. With assistance, set the assembled wagon on its wheels.
2. Using the holes at the corners of the wagon bed as guides, align the corner support bracket with the corner holes of the bed and insert the two (2) 3/4" x 6mm hex head bolts with flat washers in the lower holes.
3. Then add another flat washer, lockwasher, and nut and tighten to secure.
4. Install the next two nuts with fasteners and tighten to secure.
5. Repeat the steps to attach remaining three (3) corner support brackets.



### Parts List and Tools Required



Wrenches



Socket and Ratchet Set



Corner Support Brackets (4)



3/4" x 6mm  
Hex Head Bolts (16)



6mm Lockwashers (16)



6mm Flat Washers (32)



6mm Nuts (16)

# 7

## ATTACH TOP DECK

1. With assistance, place the top deck into position. Align its mounting holes with the mounting holes of the corner brackets.
2. Insert 3/4" x 6mm hex head bolts with flat washers through the deck and corner braces. Add additional flat washers, lockwashers, and nuts and tighten to secure.
3. Repeat the steps to secure the remaining corners of the deck to the support brackets.



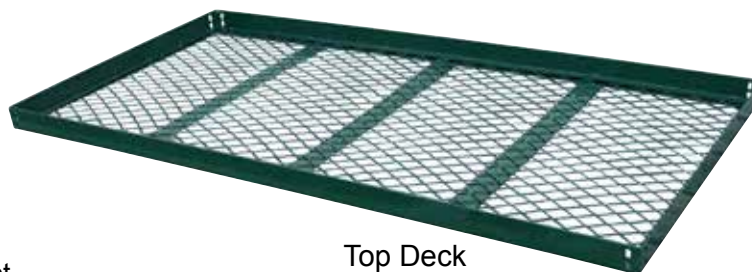
### Parts List and Tools Required



Wrenches



Socket and Ratchet Set



Top Deck



3/4" x 6mm  
Hex Head Bolts (16)



6mm Lockwashers (16)

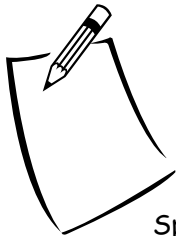


6mm Flat Washers (32)



6mm Nuts (16)





Space reserved for customer notes.