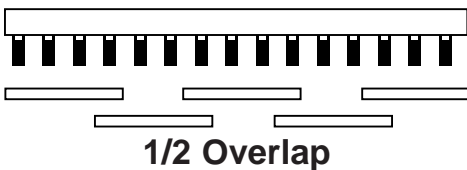
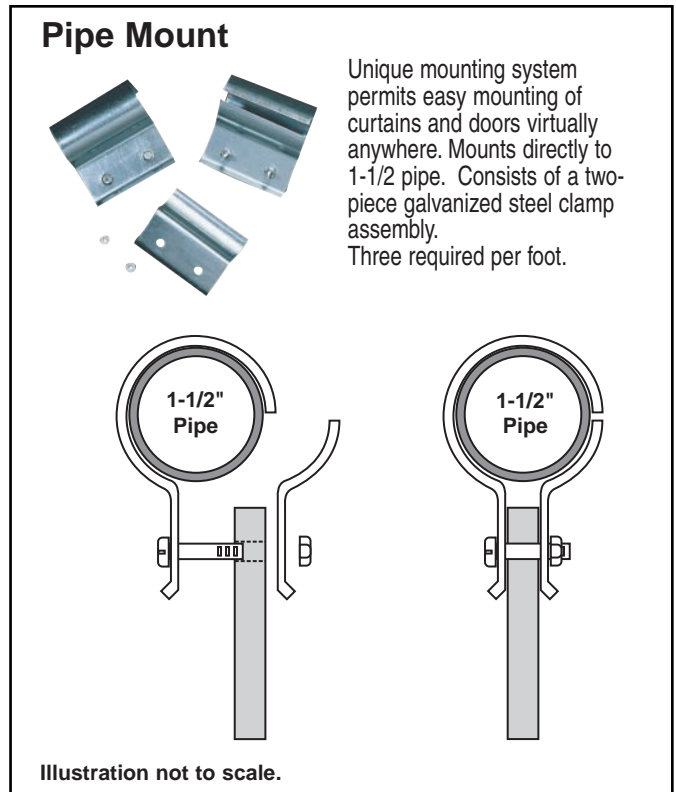
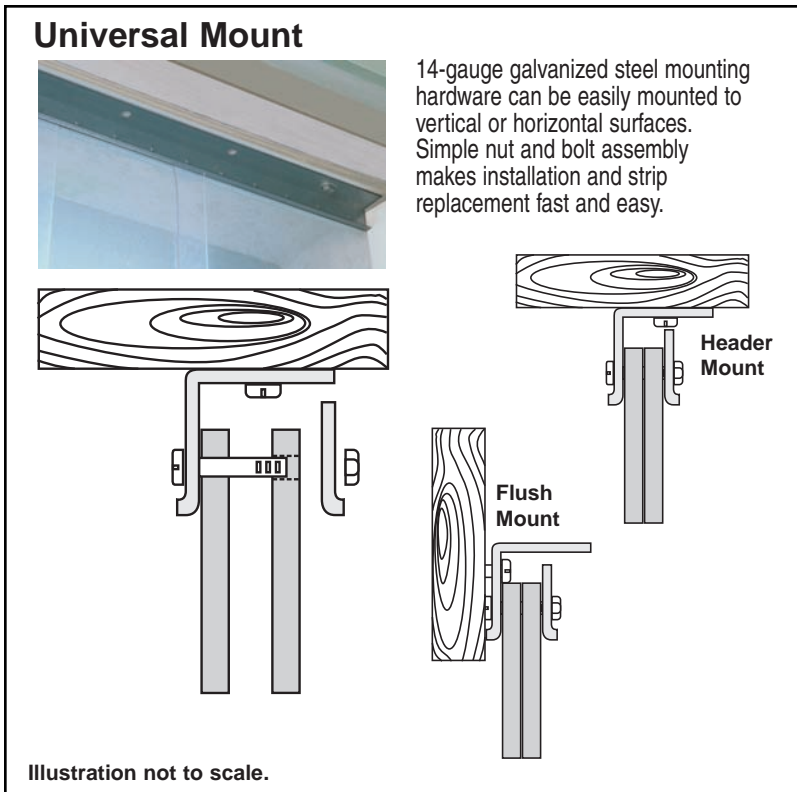


STRIP DOOR INSTALLATION INSTRUCTIONS

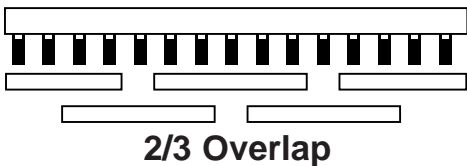
- 1- Attach universal mounting hardware to the top of the wall directly above the opening.
- 2- Slide strips onto the bolts (see the drawing below for strip spacing).
- 3- Slide cover bar (smaller clamp half in pipe mount installation) over the strips.
- 4- Lock bar (clamp in pipe mount installation) with nuts provided.

Note: For pipe mount put the clamps over your 1-1/2" pipe, side by side and follow steps 2 through 4.



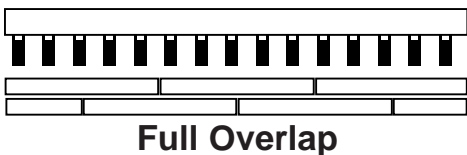
1/2 (50%) Overlap for 8" Wide Strips

Hang the first strip to the far left, skip 4" then hang the next strip. Repeat this process to the far right. Then center the remaining strips over the 4" gaps forming the second layer.



2/3 Overlap for 12" Wide Strips

Hang the first strip to the far left, skip 4" then hang the next strip. Repeat this process to the far right. Then center the remaining strips over the 4" gaps forming the second layer.



Full (100%) Overlap for 8" or 12" Wide Strips

Hang the first strip to the far left, place the second strip next to the first strip. Repeat this to the far right. Center remaining strips over the seams, so the edges meet.

Strip curtain material mounted correctly hangs in an overlapping concave-convex pattern. This allows the strips to interlock and form a protective seal.

Amber and Orange tinted strips are recommended for welding areas.

Clear strips are not to be used for welding areas!