

Batten Tape/Fence Strapping & Loop Brackets

ATTENTION: For best results, space fence posts at 8' or less. These instructions describe one way to install the fence strapping and loop brackets. Modification of these steps may be necessary depending on the post material, overall design of the fence, and other factors.



Required Tools

- Battery-powered driver to install mounting screws.
- Bit designed for the mounting screw head (Phillips, torque, square, etc.). This differs with mounting screw type.
- Drill bit to predrill mounting screw holes *in the loop brackets* (optional). Drill bit size depends on the size and type of fastener.
- Tape measure, tool to cut fence strapping, and marker to mark strap height on each post. Be sure to account for the length of the loop brackets when you determine strap position on the posts.
- Chalk line, standard level, or line level to install strapping.
- Assistants are recommended to help with the installation.

Fence Maintenance and Care

- Frequently check all mounting screws to ensure that screws are tight and in place. Replace missing screws immediately.
- Frequently check all loop brackets to ensure that each is in place and in good condition. Replace all missing or broken loop brackets immediately.
- Frequently inspect the beginning and end of each run of fence strapping to ensure that both remain secured to the post. Repair as needed.
- Inspect the fence strapping regularly. Repair or replace damaged strapping immediately.
- Inspect fence posts to ensure they are sound enough to secure the fence and to withstand the forces applied to them by the elements and animals. Replace damaged or deteriorating posts immediately.

Preparation (before fence strapping is installed)

1. Identify the area to be fenced and set all fence posts. For best results, space posts at 8' or less.
2. Determine how many runs of strapping (top to bottom) for the fence (1, 2, or more) and how much fence strapping and hardware is needed.
3. Determine and mark position of each run on the installed posts. Use a marker, tape measure, chalk line, line level, or other means as needed.

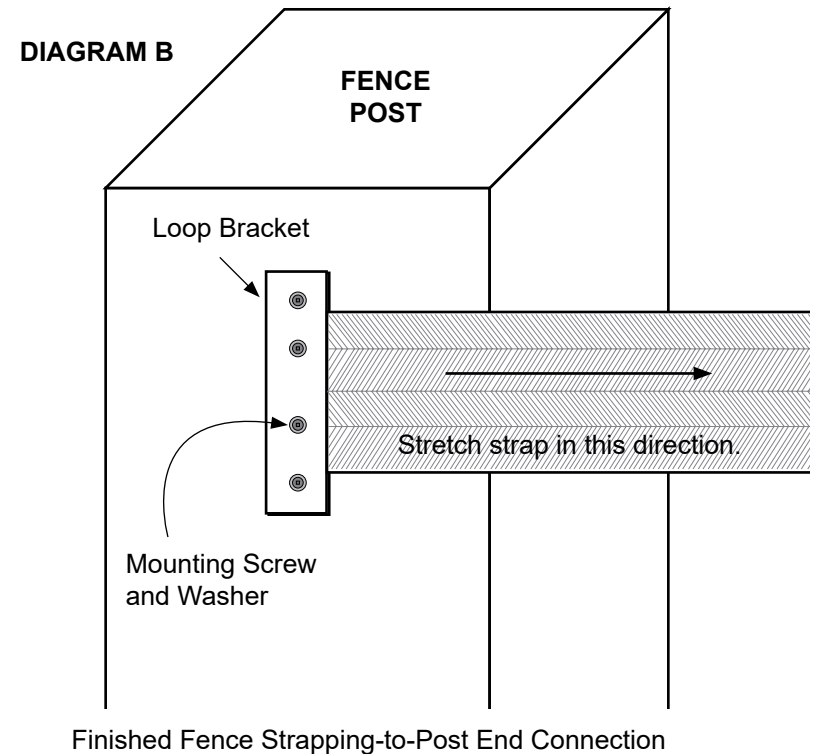
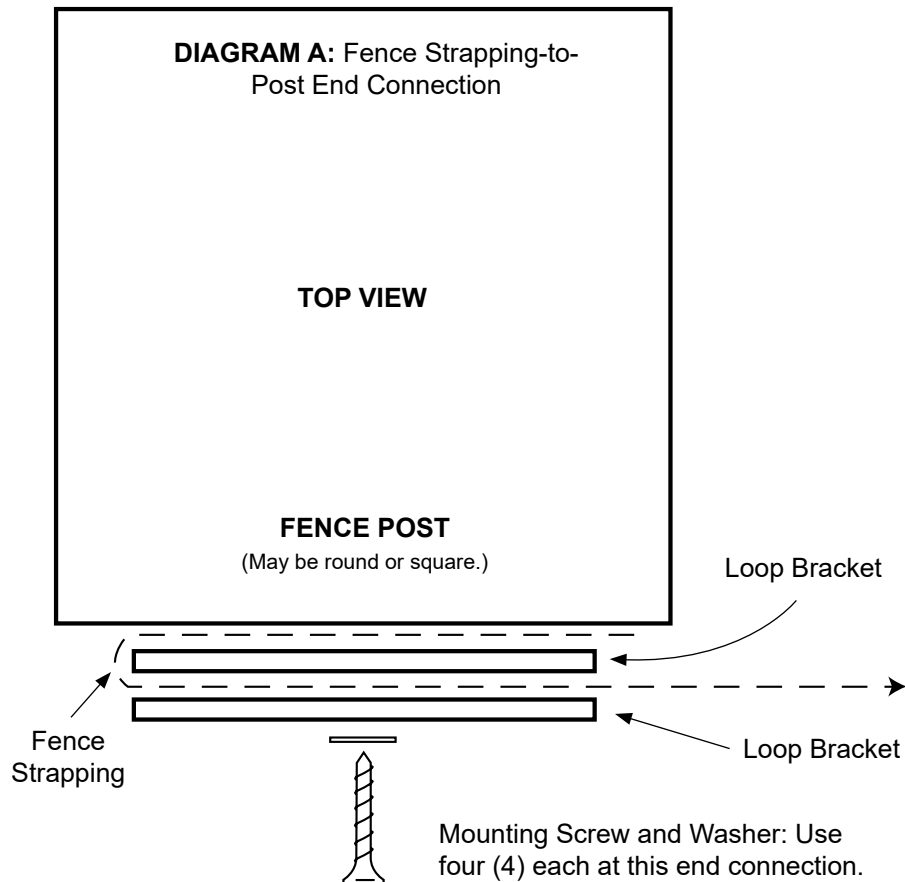


Batten Tape/Fence Strapping & Loop Brackets

Fence Installation

1. Attach one end of the first run of fence strapping to the desired fence post. Starting point depends on the application and fence design. For example, a beginning post may be a corner post, post against a building, or at an opening for a gate. Use **Diagrams A & B** to correctly **anchor the fence strapping end** to a post.

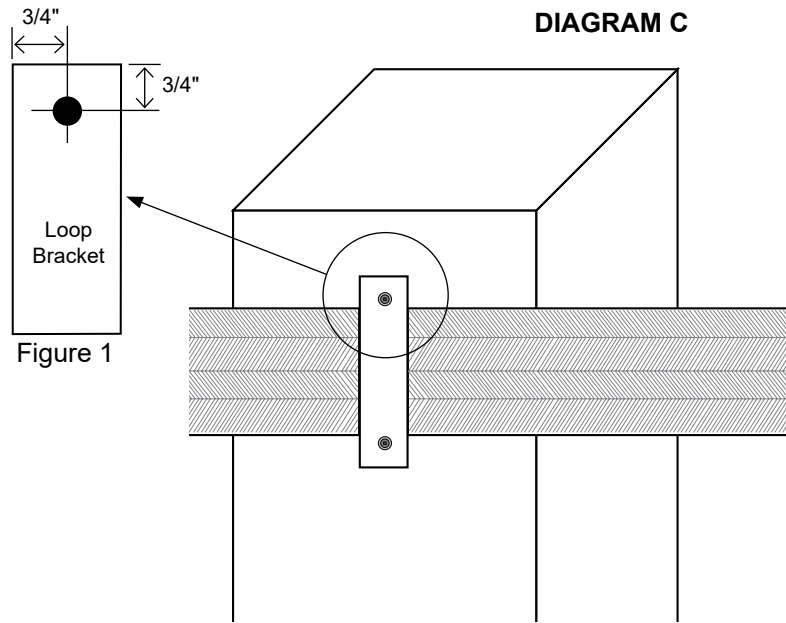
2. With assistance, stretch the fence strapping to the next post.



NOTE: Increase the length of the fastener when the post is not solid. Fasteners must "bite" solid wood. *Pre-drill loop brackets if desired.*

Batten Tape/Fence Strapping & Loop Brackets

- Have an assistant install the loop bracket to secure the fence strapping at the desired height. Refer to **Diagram C** to correctly install the loop bracket. *Do not install mounting screws through the fence strapping.*



Strapping-to-Post Connection (Between Ends)

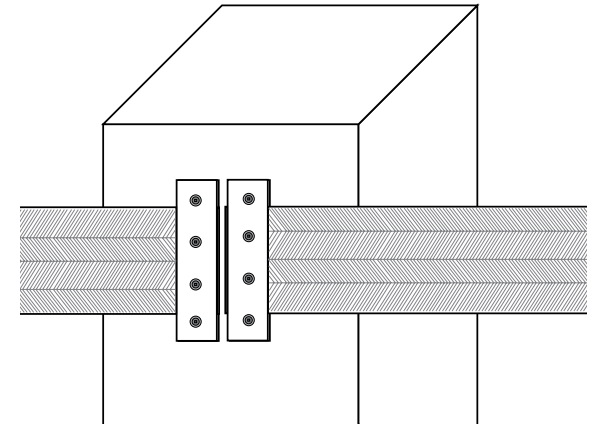
NOTE: Depending on fastener type and size, you may want to predrill the mounting holes through the loop brackets. **See Figure 1 (above) for hole position.**

- With assistance, stretch the fence strapping toward the next post, and secure as shown above. Consult the *Stretching the Fence* steps in the next column for additional information.

- Continue this pattern until you reach the last post or the end of the strapping roll. Consult **Diagram D** for one way to anchor the end of one roll and the beginning of another roll to the same fence post.

DIAGRAM D: Securing Two (2) Strap Ends to the Same Post

This diagram shows one way to attach the ends of two separate rolls of fence strapping to the same post. Secure ends in the manner shown in **Diagrams A & B** on the previous page.



- Continue this pattern of installation until the entire fence is installed.

Stretching the Fence

Strapping material will relax after installation, use, and exposure to the elements. The following steps describe how to stretch the strap during installation and to restretch the fence strap after installation.

- Position an assistant every 50' or so along the length of the fence.
- Have assistants gently but firmly pull the strapping in the direction you want to stretch the fence. **Instruct the assistants not apply too much force. Depending on fence post quality and condition, doing so could pull the mounting screws out of the post!**
- To **restretch** the strap, loosen the loop bracket at the end you are stretching toward, have an assistant pull the slack from the strap, reposition the loop bracket as needed, and secure the end to the fence post. If you are **installing the strap for the first time**, review Diagrams A & B, pull the strap tight with help from an assistant, and install the loop brackets as described in Diagrams A & B.
- Once the strap is secured at each end, instruct the assistants to release the strap. Repeat the steps for the remaining runs of fence strapping.