



ClearSpan™ SunBurst Dome Gothic Style Canopies



Photo may show a different but similar model.

©2007 ClearSpan™
All Rights Reserved. Reproduction is prohibited
without permission.
Revision date: April 2007ldg

STK#	DIMENSIONS
106594	10' W x 10' L
106595	10' W x 20' L



YOU MUST READ THIS DOCUMENT BEFORE YOU BEGIN TO ASSEMBLE THE SHELTER.

Thank you for purchasing this ClearSpan™ shelter. When properly assembled and maintained, this product will provide years of reliable service. These instructions include helpful hints and important information needed to safely assemble and properly maintain the shelter. Please read these instructions **before** you begin.

If you have any questions during the assembly, contact Customer Service for assistance.

SAFETY PRECAUTIONS

- Wear eye protection.
- Wear head protection.
- Wear gloves when handling metal tubes.
- Use a portable GFCI (Ground Fault Circuit Interrupter) when working with power tools and cords.
- Do not climb on the shelter or framing during or after construction.
- Do not occupy the shelter during high winds, tornadoes, or hurricanes.
- Provide adequate ventilation if the structure is enclosed.
- Do not store hazardous materials in the shelter.
- Provide proper ingress and egress to prevent entrapment.

ANCHORING INSTRUCTIONS

Prior to assembling this shelter, please read the **MUST READ** document included with the shipment.

⚠ WARNING: The anchor assembly is an integral part of the shelter construction. Improper anchoring may cause shelter instability and failure of the structure. Failing to anchor the shelter properly *will void the manufacturer's warranty* and may cause serious injury and damage.

LOCATION

Choosing the proper location is an important step before you begin to assemble the structure.

The following suggestions and precautions will help you determine whether your selected location is the best location.

- Never erect the structure under power lines.
- Identify whether underground cables and pipes are present *before* preparing the site or anchoring the structure.
- Location should be away from structures that could cause snow to drift on or around the building.
- Do not position the shelter where large loads such as snow and ice, large tree branches, or other overhead obstacles could fall.

SITE

After choosing a location, proper preparation of the site is essential. Follow the information below.

- *A level site is required.* The site must be level to properly and safely erect and anchor the structure.
- For sites that are not concrete or gravel, placing wood blocks or other suitable supports under each rafter leg or the perimeter base frame helps prevent the pipes from sinking or working into the site.
- **Drainage:** Water draining off the structure and from areas surrounding the site should drain away from the site to prevent damage to the site, the structure, and contents of the structure.

⚠ WARNING: The individuals assembling this structure are responsible for designing and furnishing all temporary bracing, shoring and support needed during the assembly process. For safety reasons, those who are not familiar with recognized construction methods and techniques must seek the help of a qualified contractor.

CLEARSPAN™ DOME CANOPIES

ASSEMBLY PROCEDURE

Following the instructions as presented will help ensure the proper assembly of your shelter. Failing to follow these steps may result in an improperly assembled and anchored shelter and will void all warranty and protection the owner is entitled.

The steps outlining the assembly process are as follows:

1. Verify that all parts are included in the shipment. Notify Customer Service for questions or concerns.
2. Read these instructions, the Must Read document, and all additional documentation included with the shipment **before** you begin assembling the shelter.
3. Gather the tools, bracing, ladders (and lifts), and assistance needed to assemble the shelter.
4. Check the weather **before** you install the roof cover and any panels (if equipped). Do not install covers or panels on a windy or stormy day.
5. Re-evaluate the location and site based on the information and precautions presented in the documentation included with the shipment.
6. Prepare the site (if applicable).
7. Assemble the frame components in the order they are presented in these instructions.
8. Assemble the frame including the struts (if equipped).
9. Consult the MUST READ document and properly anchor the assembled frame.
10. Install, tighten, and secure the end panel and main cover (if equipped). This applies to fabric covers that stretch over the frame assembly. Your shelter may include roof panels or side panels or both.
11. Read the Care and Maintenance information at the end of these instructions.
12. Complete and return all warranty information as instructed.

LIST OF WORDS AND PHRASES

Before you begin, it is important to become familiar with the words and phrases used in this instruction manual.

These words and phrases are common to most ClearSpan™ shelters and identify the different parts of the shelter. (Some are used in this document. Others may not apply to this particular shelter.) These terms describe the shipped parts and can also be found on the materials list/spec sheets included with the shipment. To aid in the assembly, read through the following definitions before you begin to assemble your shelter.

- **Conduit:** An assembly of pipes used to secure the main cover and end panels (if equipped). Purlins and some strut assemblies also consist of connected pipes to form a conduit. Each pipe joint of a conduit assembly is secured with a self-tapping Tek screw.
- **Coupler or Fitting:** A part of the frame assembly where legs, purlins and rafter pipes are inserted and secured. In most instances, 3-way and 4-way couplers are used. In some larger applications, couplers are used to secure the joints of the different rafter sections during the assembly of the rafters. Some shelters do not use couplers.
- **Foot or Rafter Foot:** The part attached to and found at the base of the rafter or leg of the shelter. Depending on the shelter, the foot is an optional purchase. Some shelters do not offer an optional foot. Some use 1-way connectors; others use ground posts.
- **Must Read Document:** This document includes building and shelter anchoring instructions, steps for end wall reinforcement, safety precautions, and notices and warnings. The Must Read document is sent with all shelters and buildings. If you did not receive a Must Read document, contact Customer Service to request one.
- **On-Center:** Term used to describe a measurement taken from the vertical center of the rafter or frame member to the vertical center of another.
- **Purlin:** The pipe assembly that runs perpendicular to the rafters or framework that supports the main cover. Purlins are found on the sides and roof areas of the assembled frame, are evenly spaced, and typically run from the front to the back of the shelter.
- **Plain or Straight Pipe:** A term used to describe a pipe that has the same diameter or width throughout its entire length.
- **Strut:** A strut is usually a length of pipe with two flattened ends and is used for diagonal bracing of the shelter frame. A strut is typically secured to the frame work by special brackets and bolts.
- **Swaged End or Swaged Pipe:** The term "swaged" refers to the tapered end of the pipe or tube. Swaged ends of a pipe can be inserted into couplers and the straight ends of other pipes.
- **Tek Screw:** A self-tapping fastener used to secure pipe joints and to fasten brackets to rafters.

CLEARSPAN™ DOME CANOPIES

REQUIRED TOOLS

Space below is reserved for customer notes.

The following list identifies the main tools needed to assemble the shelter. Additional tools and supports may be needed depending on the structure, location, and application.

- Tape measure or measuring device
- Variable speed drill and impact driver (cordless with extra batteries works best)
- Wrench, ratchet and socket (recommended)
- Ropes long enough to reach over the shelter
- Hammers and gloves
- Metal file and metal-cutting saw
- Duct tape (supplied by customer)
- Box cutter, utility knife or scissors
- Ladders, work platforms, and other machinery for lifting designed to work safely at the height of the shelter

UNPACK AND IDENTIFY PARTS

The following steps will ensure that you have all the necessary parts before you begin to assemble the shelter.

1. Unpack the contents of the shipment and place where you can easily inventory the parts. Refer to the Bill of Materials/Spec Sheets.
2. Verify that all parts listed on the Bill of Materials/Spec Sheets are present. If anything is missing or you have questions, consult the Pictorial Parts Guide and all shelter diagrams for clarification, or contact Customer Service.

NOTE: At this time, you do not need to open the plastic bags containing smaller parts such as fasteners or washers.

QUICK START GUIDE

For a quick overview of this shelter and its components, consult the Quick Start Guide at the back of these instructions.

CLEARSPAN™ DOME CANOPIES



The following graphics and photos will help you identify the different parts and show you how they are used. (Not all parts are shown.)



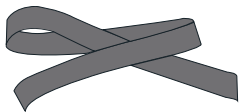
FA4470B
Tek Screw



CC6212
Fabric Clip



QH1061
Ratchet



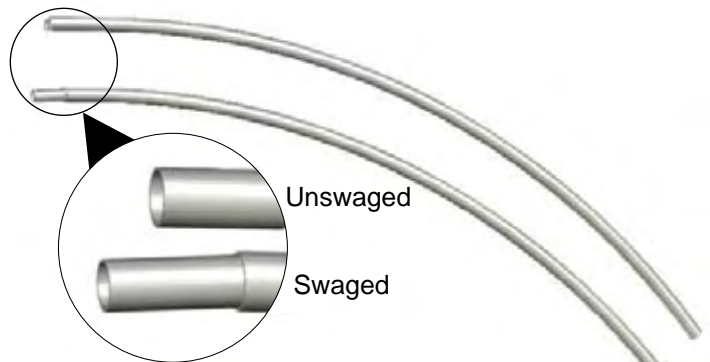
103620b
Plain End Strap



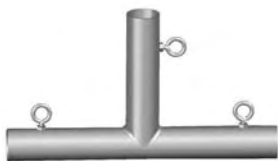
102191
3-Way Coupler



102192
4-Way Coupler



Swaged and Unswaged Rafter Sections
(not all pieces are shown)



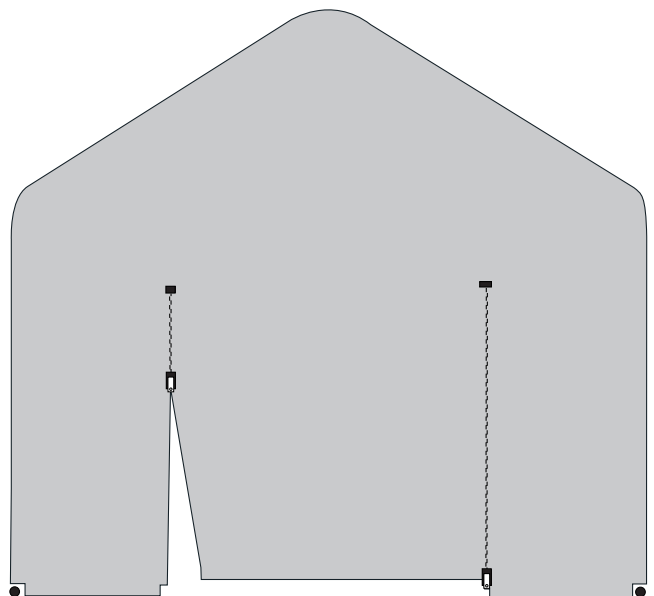
102205
Tee Coupler



102204
Corner Coupler



100442
Nut Setter



Zippered End Panel

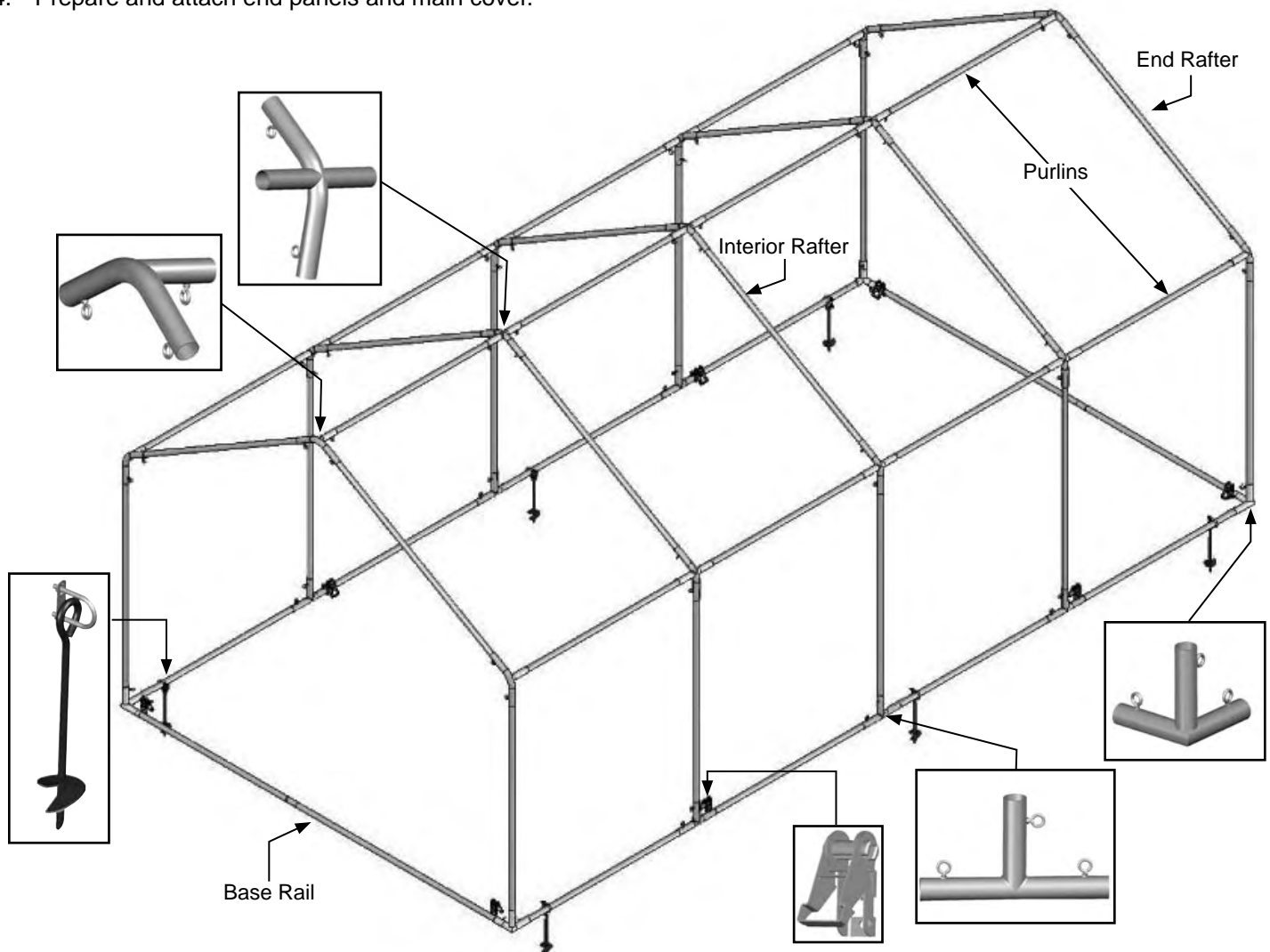


ClearSpan™ SunBurst Dome Gothic Style Canopies

OVERVIEW

This section is an overview of the process for assembling your canopy. The illustration below helps identify the main parts of the canopy.

1. Locate the required parts for each assembly procedure.
2. Assemble the rafters and frame.
3. Square and anchor the shelter.
4. Prepare and attach end panels and main cover.



CLEARSPAN™ DOME CANOPIES

LAY OUT THE BUILDING SITE

After the site is prepared, identify the location of the shelter corners to help square the frame after it is assembled.

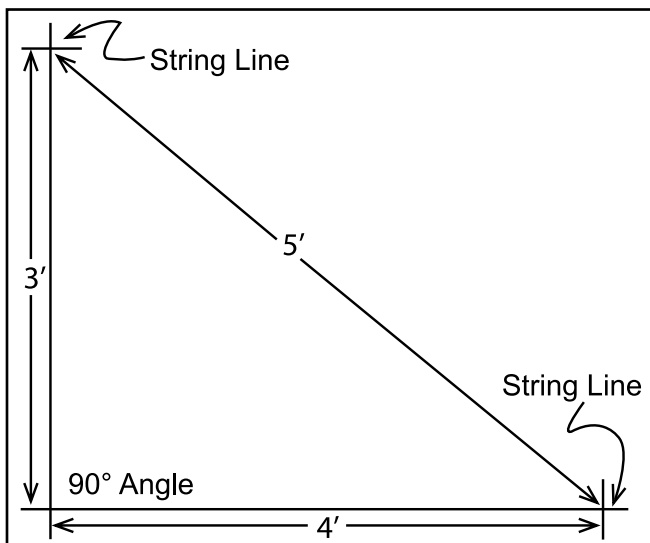
Taking these steps **before** assembling the shelter saves time and ensures that the structure is positioned as desired. The following procedure is a suggested method. Its use depends on the size of the shelter, shelter application, the footings, and the method used to anchor the shelter.

SQUARE THE SITE

1. Identify a corner where a building rafter will be positioned, drive in a stake, and string a line the exact width of the building and stake in place.
2. Sting a line at least as long as the building from the first stake at 90°.

NOTE: A transit can be used to ensure an accurate 90° angle, or the 3-4-5 rule can be used. Refer to diagram. Using multiples of 3-4-5 such as 6-8-10 or 12-16-20 helps to maintain an accurate 90° angle.

3. After squaring the position of the building and placing a stake at all corners, string a line between the stakes to mark the base of the building.



FRAME ASSEMBLY

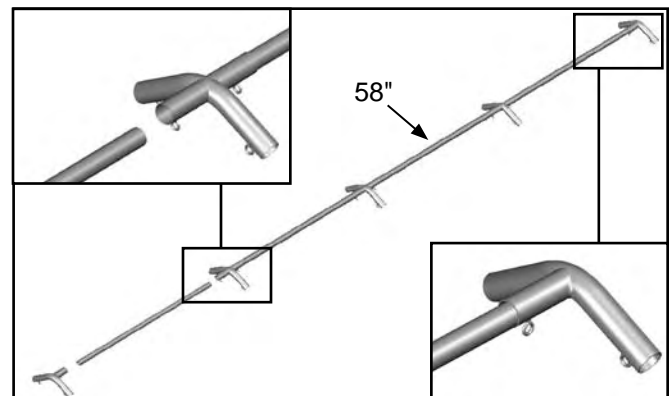
There are different ways to assemble this shelter. This procedure describes assembling the roof frame first and then adding the legs and base.

Gather the parts:

- Pipes 1.315" x 68" plain (#131P068)
- Pipes 1.315" x 58" plain (#131P058)
- 3-way couplers & 4-way couplers
- Tek screws (#FA4470B)

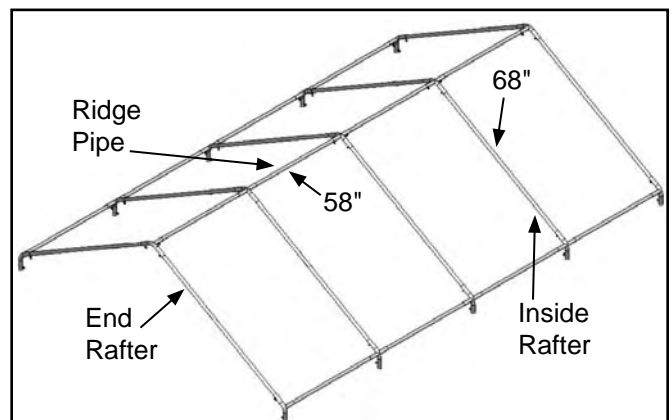
ASSEMBLE THE FRAME

1. Arrange the roof pipes on the ground adjacent to the correct couplers needed to assemble the roof.
2. Connect the ridge pipes (58" purlin section) using a 3-way coupler on each end rafter and 4-way couplers between the ends. The length should match the shelter length (on-center).



NOTE: The last ridge pipe will finish with a 3-way coupler. Verify that the correct pipe is used.

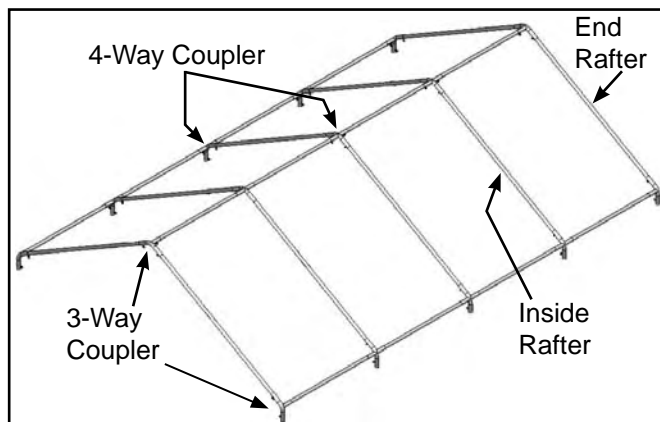
3. Attach the rafter pipes as shown in the drawing. Rafter pipes are 68".



CLEARSPAN™ DOME CANOPIES

FRAME ASSEMBLY (CONTINUED)

4. Connect the 3-way couplers to form the end rafters of the assembly and connect the 4-way cross couplers to construct the inside rafters.

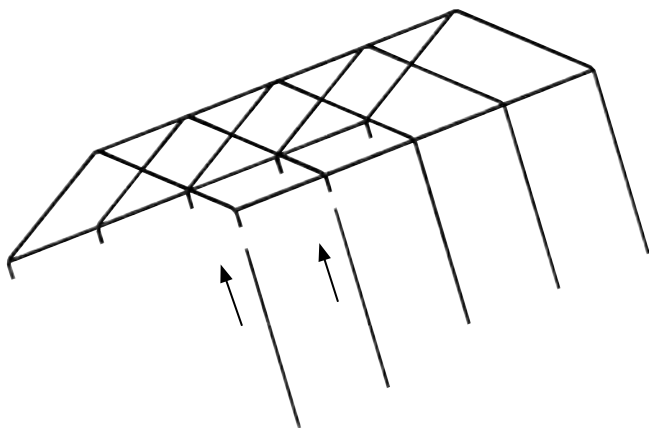


NOTE: Position the eye bolts of the couplers to the inside of the frame and tighten.

5. Verify that all eye bolts for the roof frame are tight.
6. After the rafters are assembled, install the rafter legs.

Rafter Leg Installation Procedure

1. While lifting one side of the assembled roof structure, insert a 68" pipe (#131P068) into the 3-way and 4-way couplers then tighten eye bolts. Refer to the illustration below.



2. Repeat step for the other side of the frame.
3. Verify that all eye bolts are tight and install base conduits.

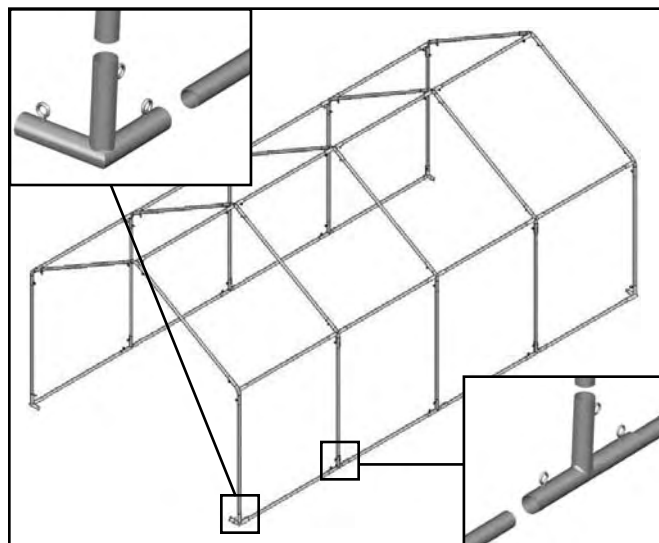
BASE CONDUIT INSTALLATION

Gather the parts:

- Pipe 1.315" x 58" plain (#131P058)
- Corner coupler (#102204)
- Tee coupler (#102205)

Assembly Procedure

1. Connect the base conduit (58" purlin section) using a corner coupler on each end and Tee couplers between the sections.



2. Insert rafter legs into the couplers and tighten all eye bolts to secure the conduit in position.

NOTE: Verify that all leg pipes are fully inserted into the couplers.

3. Repeat the same steps for the other side of the frame.
4. Continue by preparing the end conduits.

CLEARSPAN™ DOME CANOPIES

END CONDUIT ASSEMBLIES

Gather the parts:

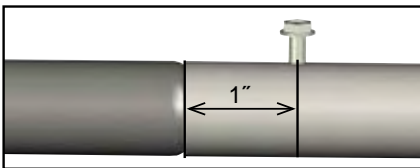
- Pipe 1.315" x 49.5" plain (#131P0495)
- Pipe 1.315" x 75" swaged (#131S075)
- Tek screws (#FA4470B)
- Duct tape (supplied by customer)

Assembly Procedure

1. Locate the end conduit pipes. *Each end conduit* consists of one (1) 75" pipe and one (1) 49-1/2" pipe.

NOTE: Two (2) end conduits are required to complete the frame assembly.

2. Assemble an end conduit by connecting the 49-1/2" plain pipe to the 75" swaged pipe and secure the joint using a Tek screw. Tape over the Tek screw to protect the end panel.



3. Repeat the steps to assemble the remaining end conduit.
4. Continue by preparing the end panels for installation.

PREPARE AND INSTALL END PANELS

CAUTION: To prevent damage, do not install end panels on a windy day.

Gather the parts:

- End panel 2-zipper (small door)
- End panel 2-zipper (large door)
- Scissors

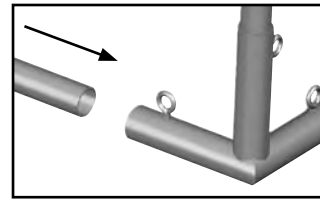
Assembly Procedure

1. At the desired end of the frame, position one end panel on the ground with its inside surface facing up. The edge of the panel with the conduit pocket should be at the base of the end rafter.
2. Take one end conduit and slide it into the pocket of the end panel positioned on the ground (previous step).

NOTE: Do not insert the conduit through the pocket at the bottom of the door section of the panel. See the diagram in the next column.

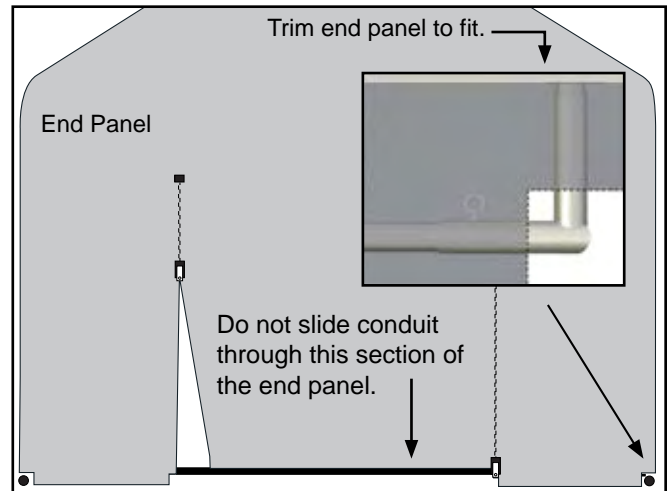
3. Position the conduit and panel between the legs of the end rafter and attach the conduit to each corner coupler.

NOTE: The end panel material will need trimmed.



End panel is not shown.

4. Verify that the end rafter legs are straight (plumb) and that the rafter width is uniform (top of the leg to the bottom of the leg). Tighten the eye bolts to secure the conduit to the main frame.
5. Trim the end panel pocket at each corner as needed so that it fits properly between the end rafter and on the end conduit.



NOTE: To better trim the panel pocket, temporarily pull the upper part of the panel into position to allow for a proper fit. *Do not secure the panel to the end rafter at this time.*

6. Once the panel pocket is trimmed-to-fit the conduit as needed, move to the other end of the frame, and repeat the steps for the remaining end panel.
7. With both end panels secured to the frame by the end conduits only, square and anchor the frame before attaching the end panels to the end rafters.

ATTENTION: Do not attach the end panel to the rafter until the frame is squared and anchored as described in the following procedures.

CLEARSPAN™ DOME CANOPIES

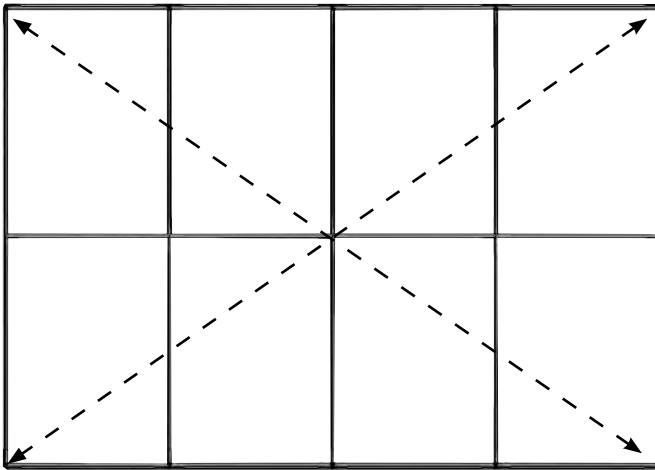
SQUARE THE ASSEMBLED FRAME

Gather the parts:

- Measuring tape
- Tek Screws

Complete these steps:

1. Square the frame by measuring diagonally corner-to-corner and align all rafters as shown below.
2. Verify that the width of each rafter measured at the base conduit is 10' 5-3/4" center-to-center. Consult the Quick Start diagrams for additional details.



FRAME TOP VIEW

NOTE: The frame is square when the two diagonal measurements are the same. Frame shown may differ from the actual frame.

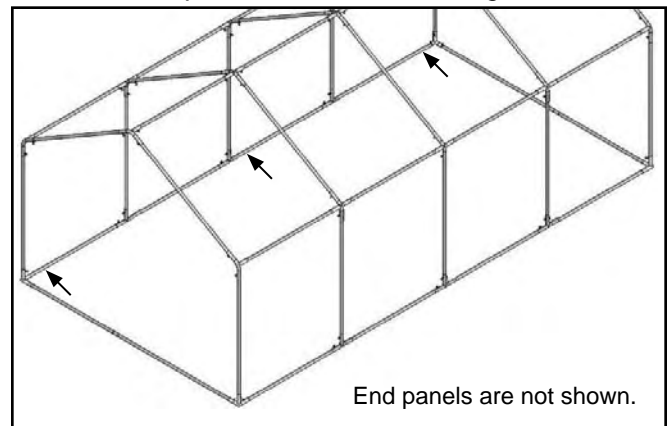
3. Anchor the frame.

ANCHOR THE SHELTER

At this point, anchor the shelter. Consult the MUST READ document for anchoring information and suggestions. Please call customer service at 1-800-245-9881 for additional anchoring information.

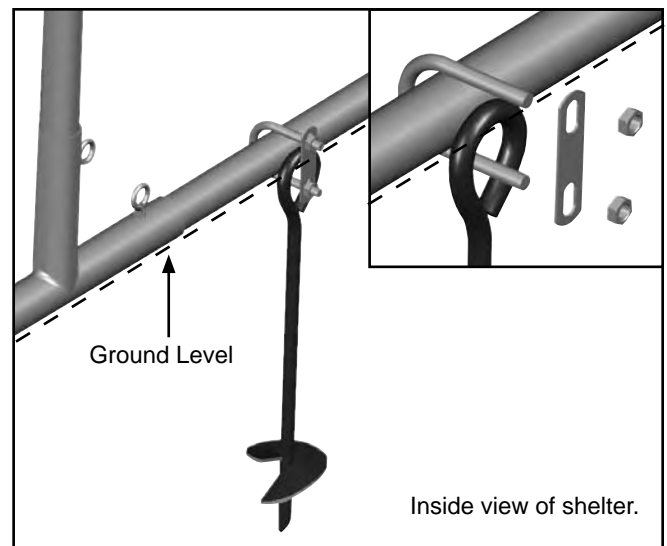
CAUTION: The anchor assembly is an integral part of the shelter construction. Improper anchoring may cause shelter instability and failure of the structure to perform as designed. Failing to anchor the shelter properly will void the manufacturer's warranty and may cause serious injury and damage.

1. Twist an earth auger anchor into the ground on the inside (or outside) of the frame. Consult the Side Profile diagrams in the Quick Start section to view the anchor locations. *Sample frame below is 20' long.*



NOTE: Position anchors close to the bottom frame conduit to ensure a connection with the U-bolts. Arrows represent location of anchors for one side. Install anchors along both sides of the shelter frame.

2. Slip the U-bolt around the bottom frame, placing one bolt leg through the eye of the anchor.



3. Install U-bolt plate and nuts and tighten.
4. Repeat to secure all anchors to the frame.

CLEARSPAN™ DOME CANOPIES

ATTACH END PANEL ASSEMBLIES

Gather the parts:

- Fabric clips - #CC6212 (Divide quantity in half.)
- Tek screws, measuring tape, and scissors or utility knife

Complete these steps:

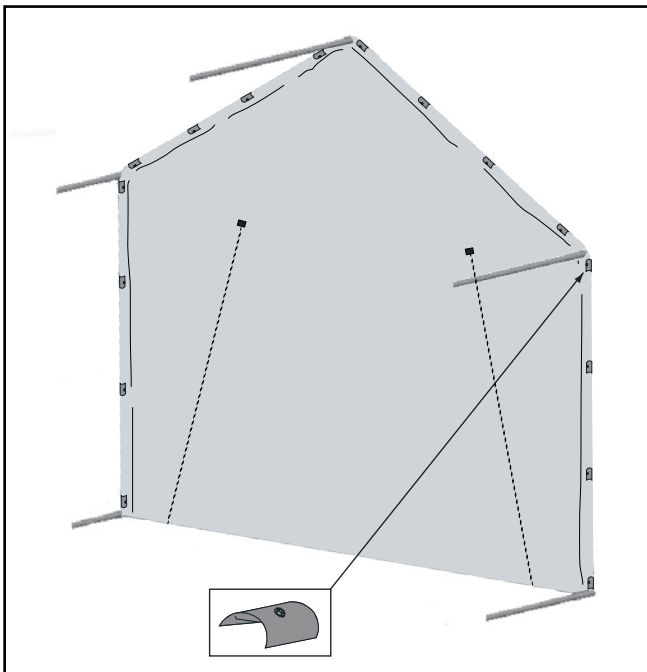
1. Move to one end panel and pull it up and over the end rafter.

Verify that the panel is centered as desired.

2. While standing inside the shelter, secure the end panel in place near the top, center of end rafter using a fabric clip (#CC6212) and Tek screw.

NOTE: Use half of the clips for each end panel. Install the Tek screw in a location that will not contact the cover when it is installed.

3. Moving outward in both directions, evenly space and secure the fabric clips along the rafter to secure the end panel.



View shows the inside surface of the end panel.

NOTE: The end panels may be shipped as untrimmed rectangular pieces. If so, use scissors to trim the excess end panel material inside the shelter to an inch or two past the fabric clip.

4. Repeat the above procedure to secure the remaining end panel to the frame.

PREPARE MAIN COVER

Gather the parts:

- Ratchet (1" 4000lb) and pipe 1.315" (See chart below.)
- Main Cover
- Tek screws

Assembly Procedure

The main cover is stretched and secured to the sides using straps and ratchets.

The ends (front and back) are secured to the bottom of each end panel corner with a ratchet attached to the end conduit. The straps to secure the ends of the main cover come pre-installed.

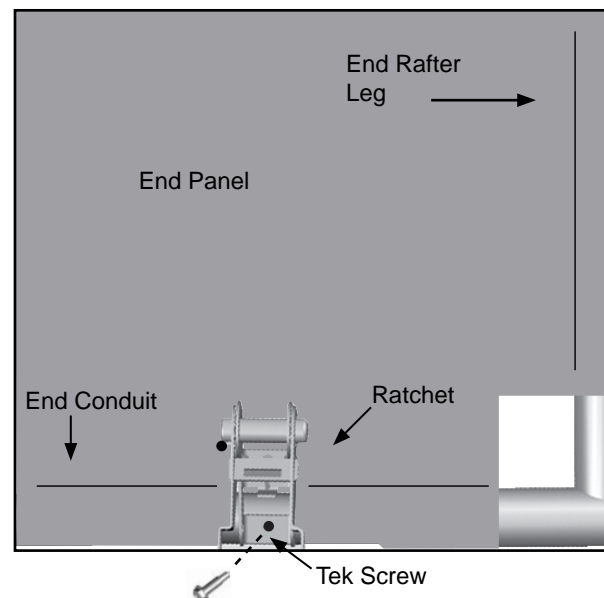
NOTE: When handling the main cover and setting it in position, do not pull on the end straps. They will pull out of the cover.

WARNING: To prevent damage to the cover and possible serious personal injury, DO NOT attempt to install the main cover on windy days.

Each frame length has a different configuration of pipe. Listed below are the shelter lengths and the pipes needed for one (1) cover conduit.

Shelter Length	Pipe Requirements
10'	(1) 75" Swaged & (1) 49.5" Plain
20'	(3) 75" Swaged & (1) 25.5" Plain

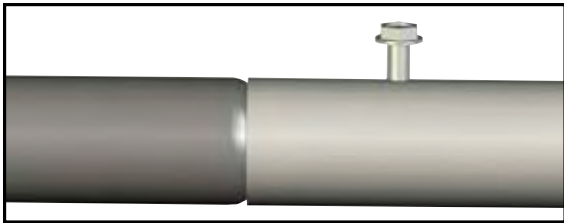
1. Fasten a ratchet to the end conduit using a Tek screw as shown below. The ratchet should be a few inches in from the end rafter leg. Repeat this step for the remaining three end frame corners.



CLEARSPAN™ DOME CANOPIES

PREPARE MAIN COVER (CONTINUED)

2. Assemble two main cover conduits. Start each conduit assembly with one plain pipe and add swaged pipes to arrive at the correct length. *This conduit length will be the length of the frame (on-center measurement).*
 - a. Locate all sections of pipe needed to assemble the cover conduit.
 - b. Insert the swaged end of each pipe into the plain end of another pipe until the conduit is assembled.
 - c. Secure each pipe joint with a Tek screw.



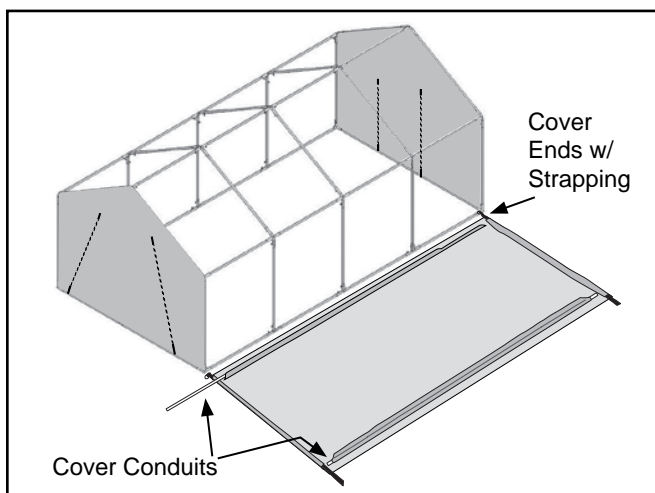
NOTE: Duct tape Tek screws to prevent damage to main cover pocket.

These cover conduits are inserted into the pockets sealed along the sides of the main cover. The conduits are used to tighten and secure the main cover.

3. After assembling the cover conduits, locate the main cover and unfold it on a clean, smooth surface near the frame.

NOTE: Unfold the main cover with the inside surface facing up.

4. Locate the cover ends with strapping and align with the front and back of the shelter.
5. Insert the cover conduits into the pockets of the main cover.



NOTE: Shelter length shown above may differ from the actual frame.

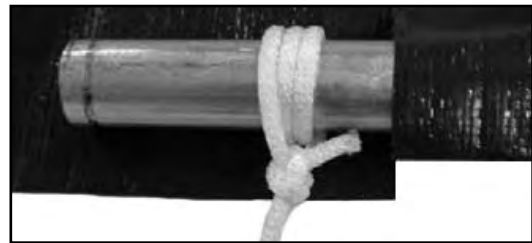
ATTACH MAIN COVER

Gather the parts:

- Main cover (with conduits inserted)
- Ropes long enough to reach over the frame (provided by customer)
- Ratchets and plain straps
- Tek screws
- Box cutter or utility knife

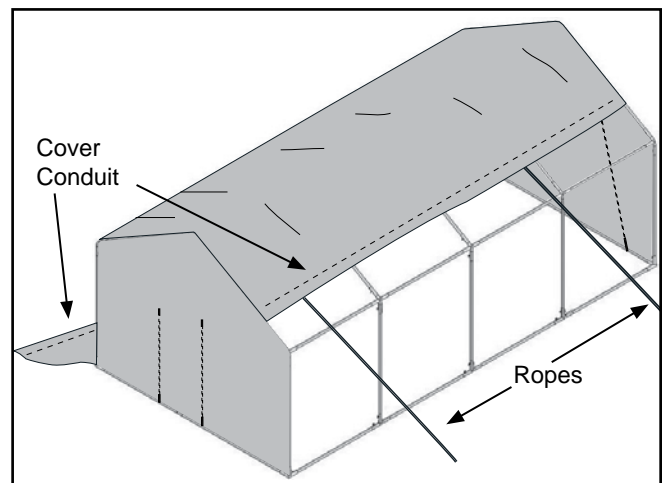
Assembly Procedure

1. To pull the cover over the frame, attach a rope to each end of the cover conduit. Wrap the rope around the conduit a few times to prevent it from slipping off.



NOTE: Depending on the length of the cover, it may be necessary to attach additional ropes to the cover conduit between the end ropes. If needed, cut a small opening in the cover pocket and tie the rope around the conduit. **DO NOT** cut through the main cover. *Cut through the conduit pocket only.*

2. With all ropes attached to the cover conduit, lift the conduit and carry the cover toward the base of the frame.
3. Toss the ropes over the frame and pull the cover into position. One person is required at each rope.



WARNING: To prevent damage to the cover and possible serious personal injury, **DO NOT** attempt to install the main cover on windy days.

CLEARSPAN™ DOME CANOPIES

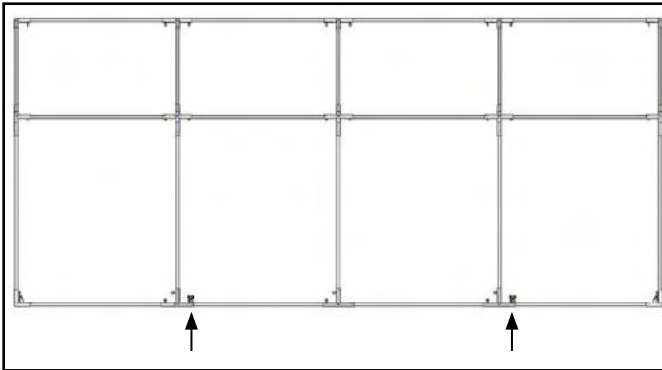
ATTACH MAIN COVER (CONTINUED)

- Once the main cover is pulled into position, center the cover on the frame and remove the ropes. Loosely secure the ends of the cover to the ratchets attached to the front and back end panel conduits.

ATTENTION: Do not tighten the straps at this time.

- Divide the remaining number of ratchets in half. Place the ratchets on the ground next to the rafter where they will be attached.

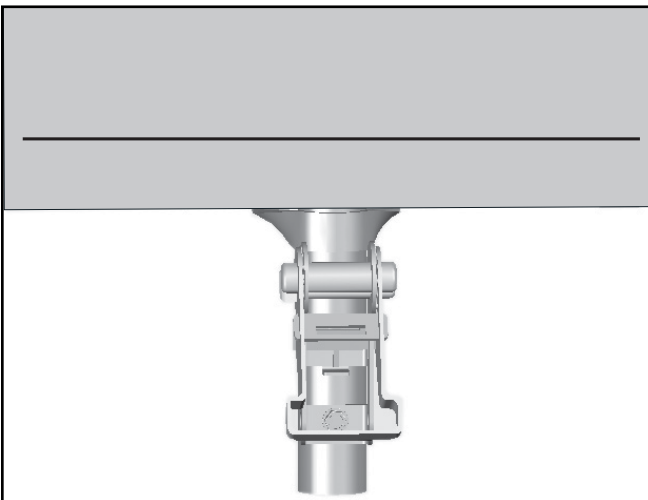
NOTE: Ratchets are evenly spaced long each side of the shelter and directly across from each other on or near the *same rafter assembly*. Rafters are identified by the arrows below. Consult the Side Profile diagrams in the Quick Start section for location details.



NOTE: Diagram above is an example of the 20' shelter.

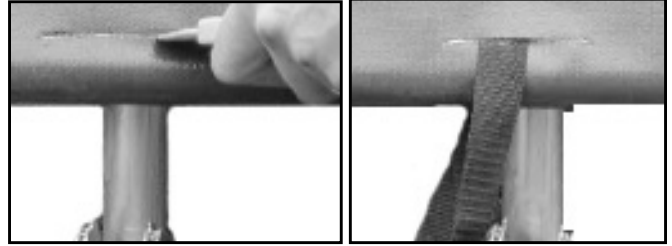
- Using the main cover conduit as a guide, attach the ratchets to the bottom conduit.

Fasten each ratchet to the inside of the bottom conduit as shown above and on the Side Profile diagrams, or to the outside of the rafter leg near the bottom conduit as shown below using a Tek screw.



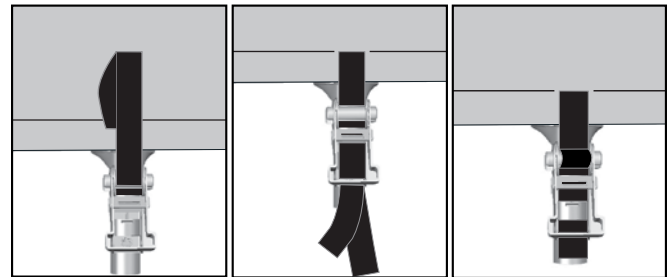
Frame and cover design shown above may differ from the actual frame and cover. These are used for illustration only.

- Lift the cover skirt (if present) and cut a slit in the cover conduit pocket at the ratchet position.
- Insert a 3' section of strap through the slit and around the cover conduit.



NOTE: DO NOT cut through the main cover. *Cut through the conduit pocket only.*

- Thread the strap ends into the ratchet and slightly tighten.



NOTE: It may be necessary to remove excess strap if it binds up in the ratchet.

- Repeat the steps for the remaining ratchets.
- Using additional help (if needed) tighten the main cover beginning with the ratchets along the sides of the shelter frame.
- After the side ratchet or ratchets are tightened, return to the front and back end ratchets and tighten.

NOTE: Loosen the ratchets if needed to remove excess strap and retighten. Loosen all ratchets if needed to reposition the main cover on the frame and retighten the ratchets.

- Fold the skirt (if present) of main cover down and over the ratchets to complete the installation of the main cover.

NOTE: Depending on the shelter, some main covers may not include a cover skirt.

- After the main cover is tight, read the care and maintenance information that follows.

CLEARSPAN™ DOME CANOPIES

SHELTER CARE AND MAINTENANCE

Space below is reserved for customer notes.

Proper care and maintenance of your shelter is important. Check the following items periodically to properly maintain your shelter:

- Regularly check the main cover and end panels to see that these remain tight and in proper repair.
- Check connections and all fasteners to verify that they remain tight.
- Do not climb or stand on the shelter at anytime.
- Remove debris and objects that may accumulate on the shelter. Use tools that will not damage the cover when removing debris.
- Remove snow to prevent excess accumulation. Use tools that will not damage the cover when removing snow.
- Check the contents of the shelter to verify that nothing is touching the cover or the end panels that could cause damage.
- Check the anchoring system to ensure that all components are tight and in good repair.
- If the shelter is moved, inspect all parts and connections before reassembling.
- For replacement or missing parts, call 1-800-245-9881 for assistance.

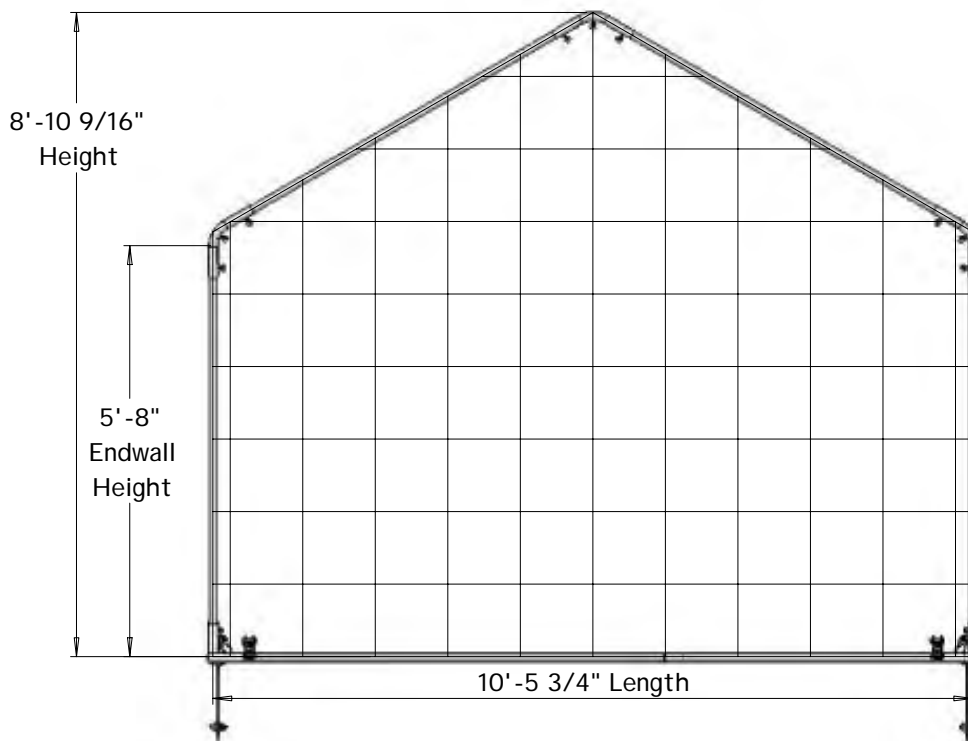
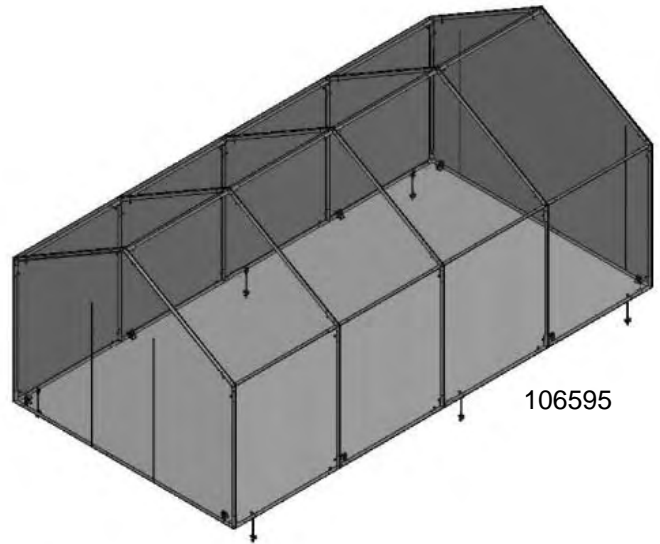
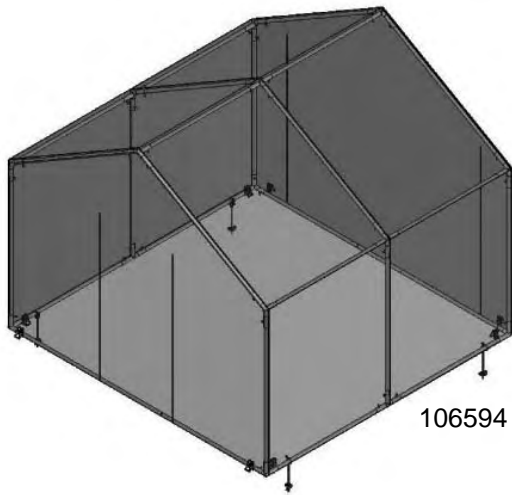
NOTE: With the exception of Truss Arch buildings, ClearSpan™ shelters and shelters do not have any tested loading criteria.

CLEARSPAN™ DOME CANOPIES

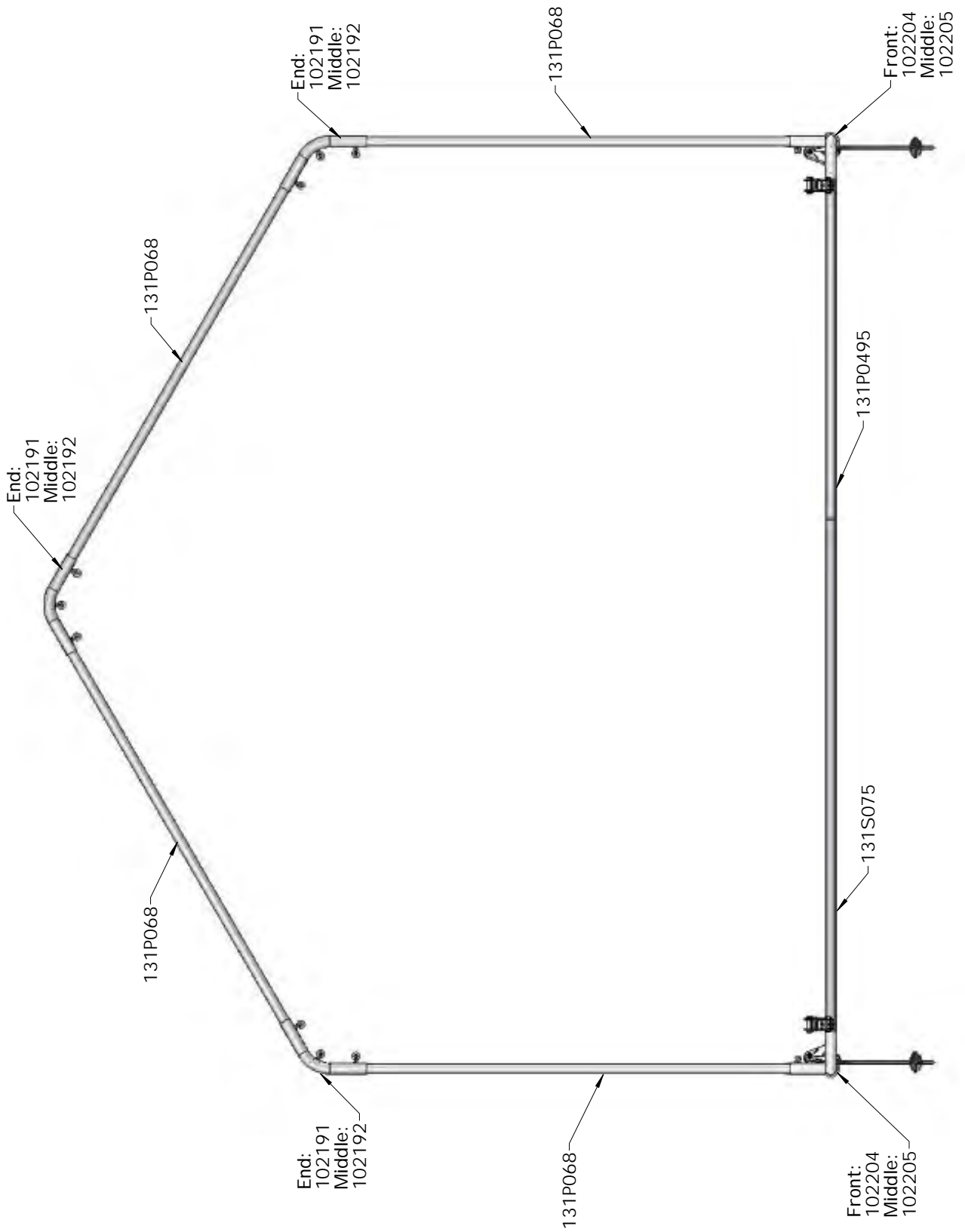


QUICK START GUIDE

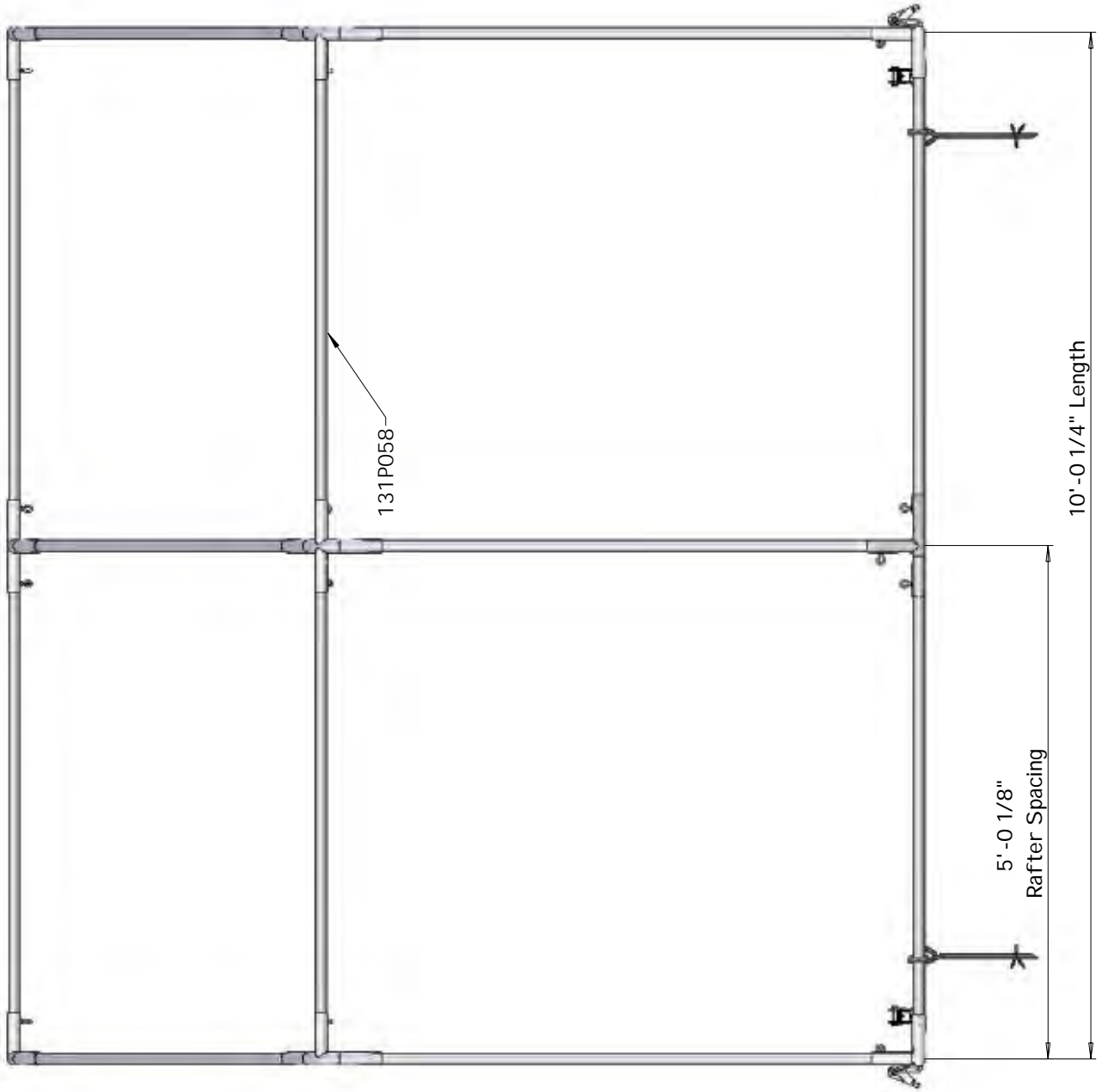
10' Wide SunBurst Dome Gothic Style Canopies



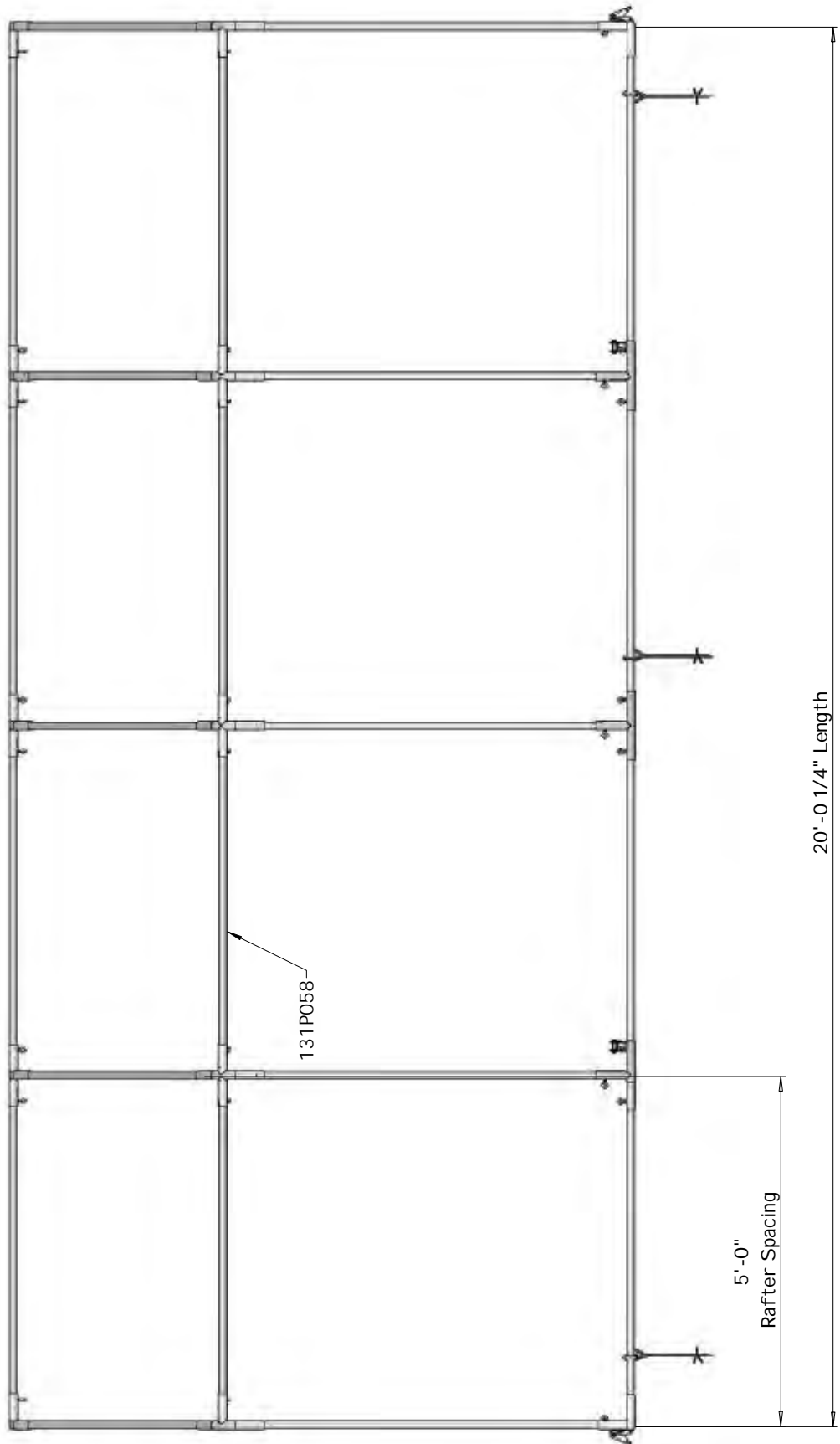
FRONT PROFILE



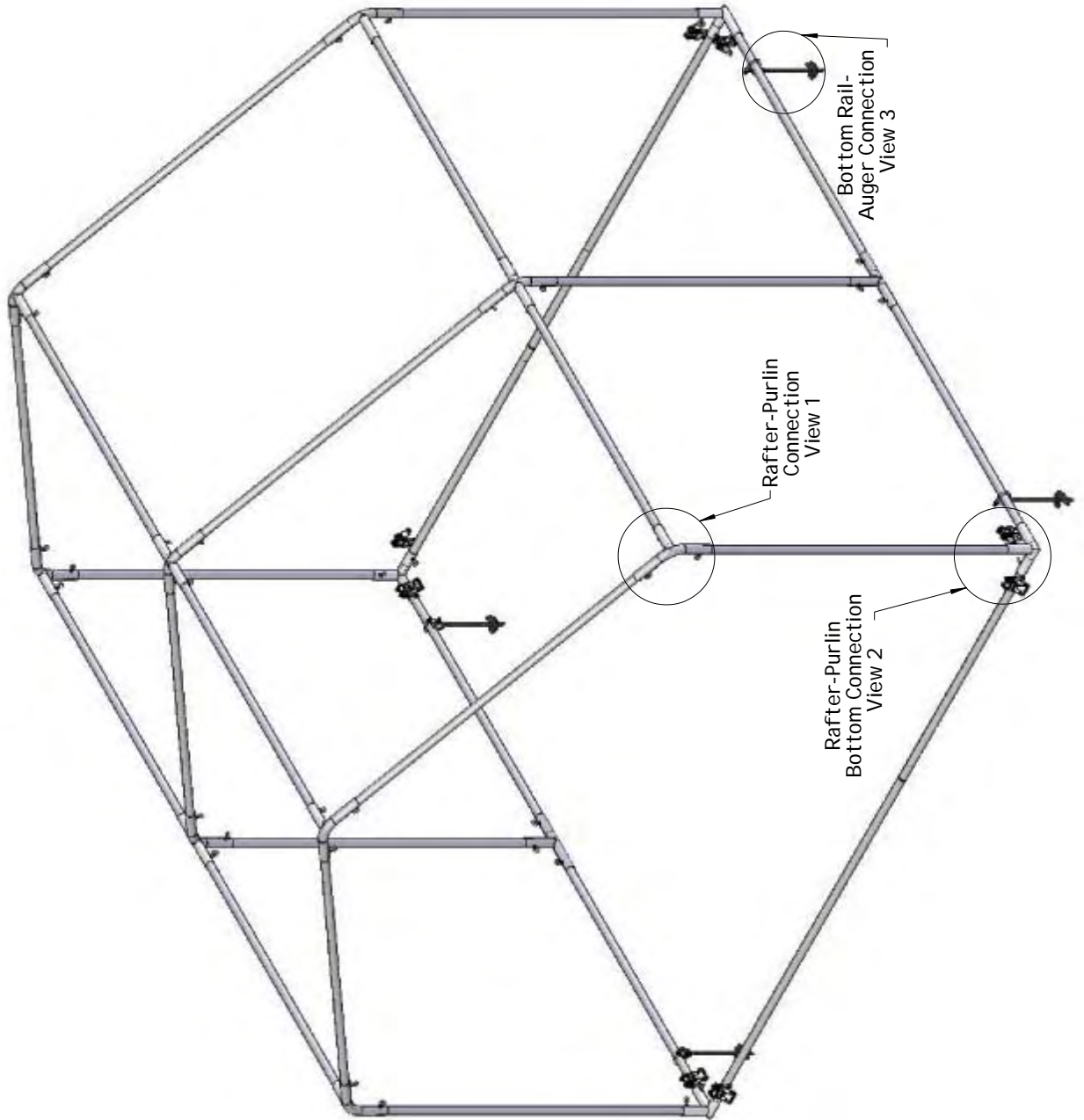
SIDE PROFILE - 106594



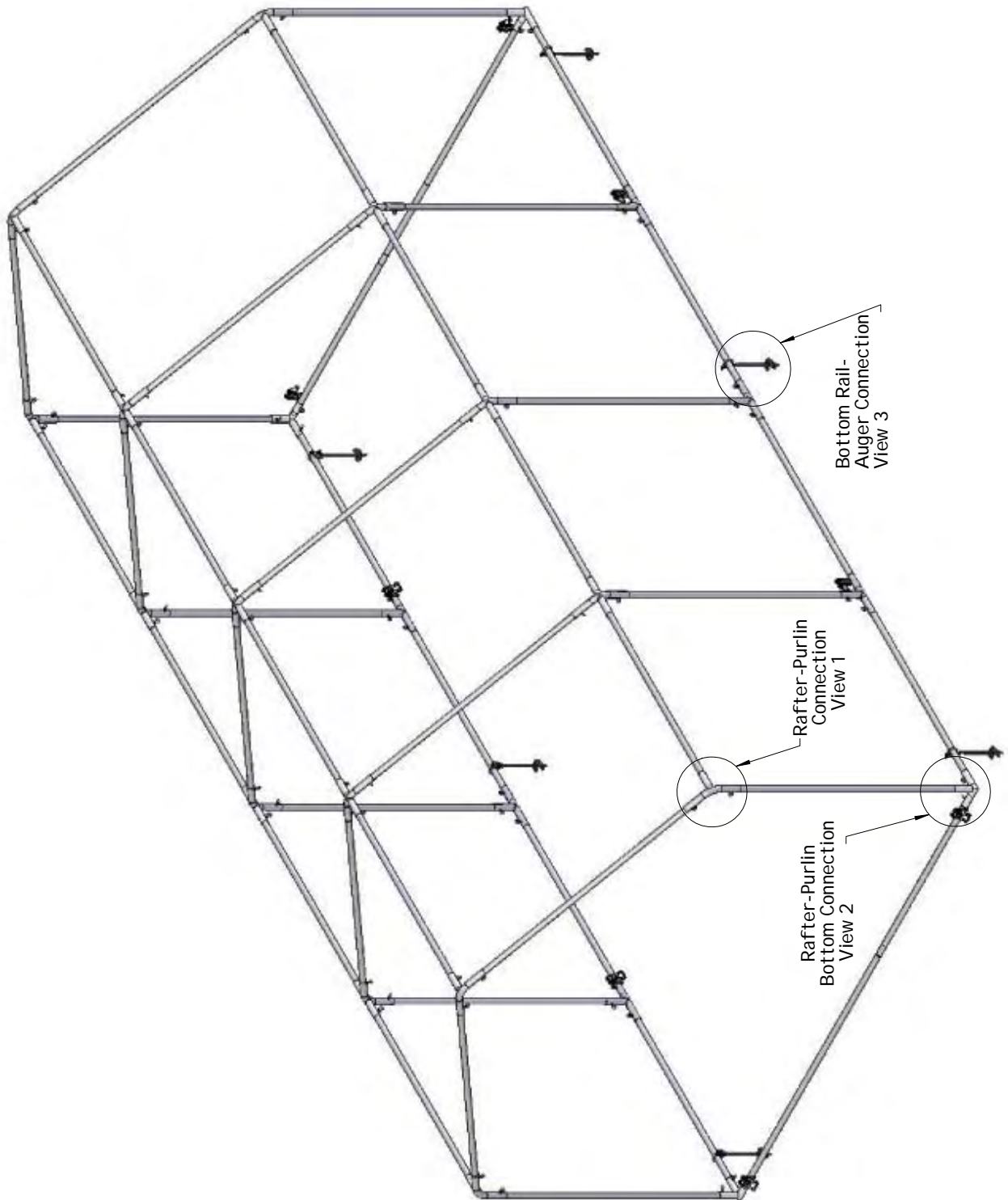
SIDE PROFILE - 106595



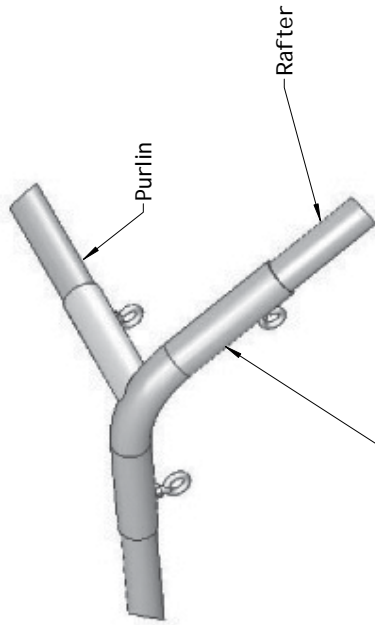
CONNECTIONS-106594



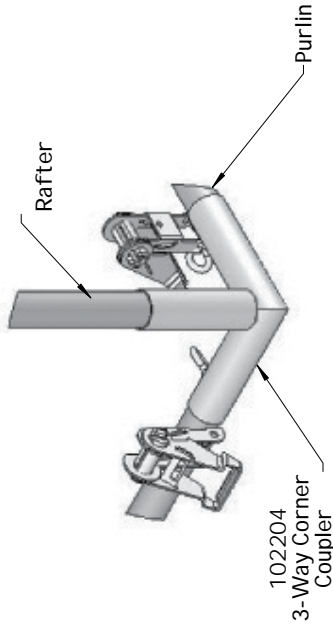
CONNECTIONS-106595



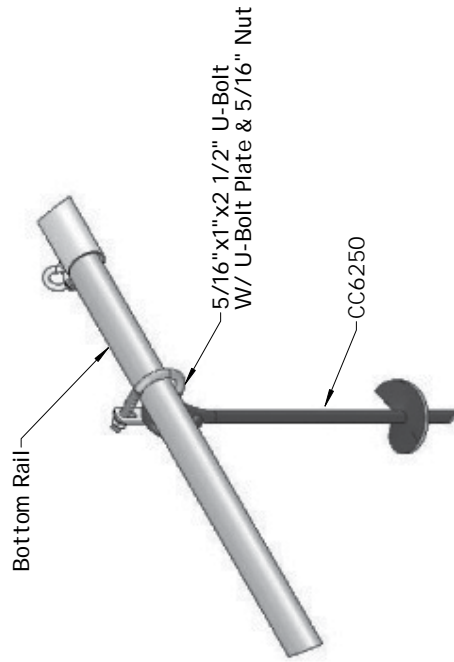
CONNECTION - DETAILS



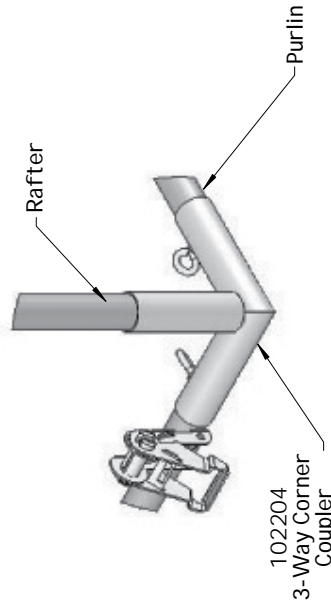
View 1
Rafter - Purlin
Connection



View 2 - 106594
Rafter - Purlin
Corner Connection



View 3
Bottom Rail
Auger Connection



View 2 - 106595
Rafter - Purlin
Corner Connection