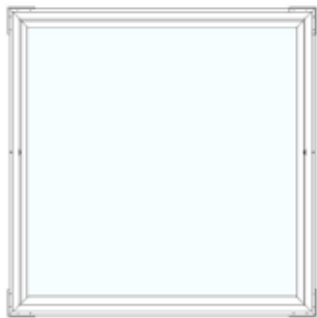




# 106370 PIVOT WINDOW

## PICTORIAL PARTS LIST



Window 40" x 40"



Chain 60" (1)



Long Bolt (2)



Short Bolt (1)



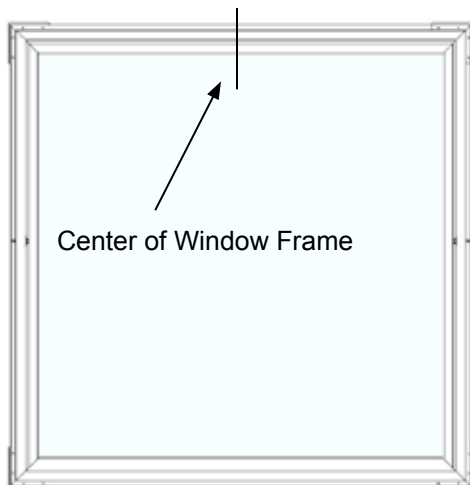
Wingnut (3)

## INSTALLATION

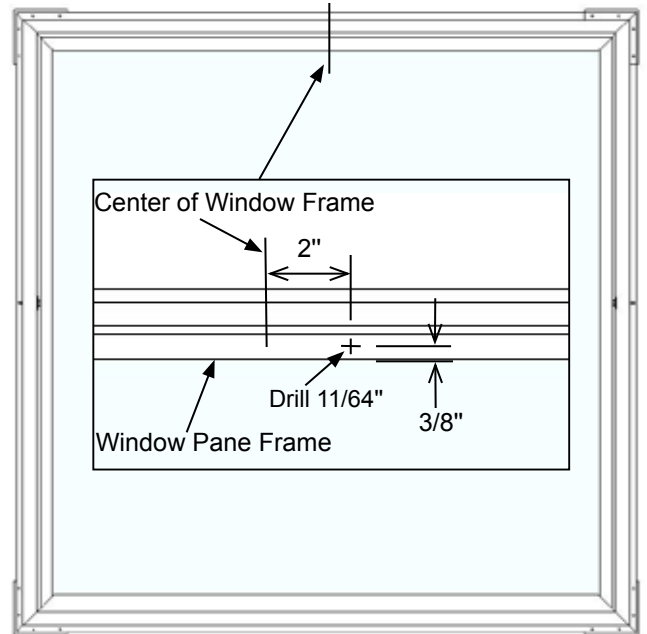
1. Remove the hardware from the bag and assure you have the correct quantity of each.
2. Lay the window on a flat worksurface with the *outside* up.

**NOTE:** The locking turnbutton is on the inside of the window.

3. Find the center of the window frame.

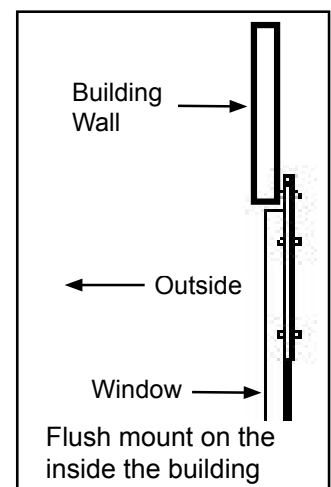
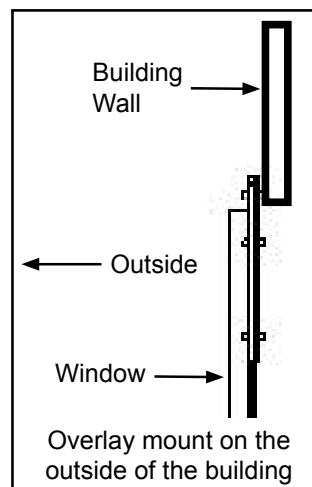


4. Mark the window pane frame two inches (2") to the right of the center of the window frame.
5. Make another mark 3/8" up from the bottom of the window pane frame to form a plus sign (+).
6. Center punch the plus sign (+) and drill a 11/64" hole in the window pane frame.



7. Determine the method of window installation that suits the application best.

**NOTE:** The window can be mounted either as an overlay on the outside of the building or as a flush mount from the inside of the building.

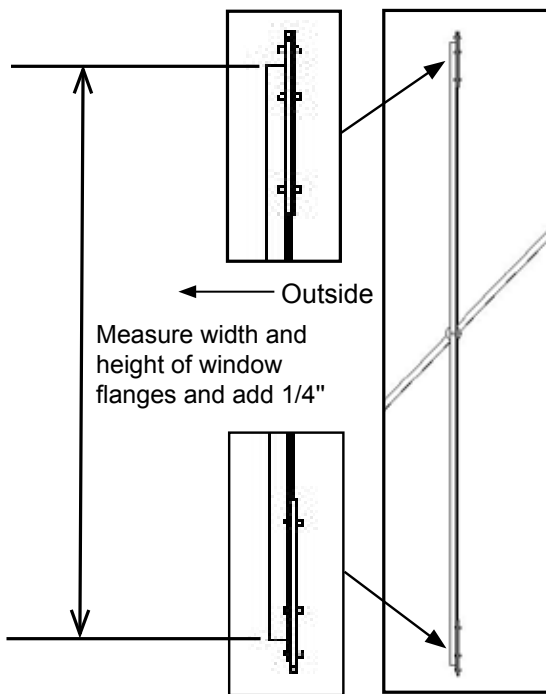


- From the outside of the window, measure the width and height of the window flange. Add 1/4" to the dimensions for clearance. This will give the rough opening size.

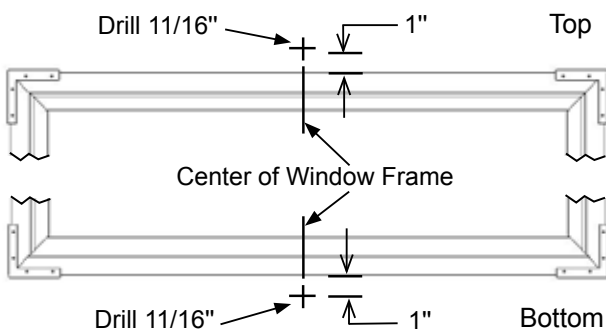
**NOTE:** The rough opening in the building wall will be the same size either way the window is mounted.

- Cut the rough opening in the building wall using the measurements taken.
- Center the window in the rough opening and attach it to the building wall with customer-supplied fasteners. Drill the window frame as needed to accept the fasteners.

**NOTE:** If a weather tight seal is desired, customer-supplied caulking may be applied to the window frame before or after installation.



- Drill an 11/16" hole in the building wall 1" above the center of the window frame. Insert one (1) long bolt through the hole with the head on the *outside*.
- Drill another 11/16" hole in the building wall 1" below the center of the window frame. Insert one (1) long bolt through the hole with the head on the *outside*.



- Insert the short bolt through the hole in the window pane frame with its head to the *outside* of the window.
- Attach one end of the chain to the upper bolt using a wingnut.

## WINDOW OPERATION

- Open the window to the desired angle. Pull chain leg A snug and slide a chain link over the window pane frame bolt. Secure the chain with a wingnut.
- Pull chain leg B snug and slide a chain link over the lower bolt. Secure it with a wingnut.

**NOTE:** When the window is open, the chain must be secured to the upper, window frame, and lower bolts with wingnuts to keep the wind from blowing the window closed. When the window is closed, the window must be locked with the turnbutton, to prevent the wind from blowing it open.

