

PLUG TYPE
20 amp 240V
NEMA #6-20P

WARNING

Read Carefully - These instructions contain vital information for the proper installation, use and efficient operation of the heater. Carefully read these instructions before installation, operation, or cleaning of the heater. Failure to adhere to the instructions could result in fire, electric shock serious personal injury death or property damage.

Save these instructions and review frequently for continuing safe operation and instruction future users.

- 1 Connect to property grounded outlets only.
- 2 Check heater voltage and amperage on back of heater to make sure it agrees with the electric service supplied.
- 3 Ground fault circuit protection is required if heater is used in damp areas such as basements or garages. This is not suit able for use in wet or very humid locations.
- 4 Do not use outdoors.
- 5 Never locate heater where it may fall into a bathtub or other water container.
- 6 Do not insert or allow foreign objects to enter any ventilation or exhaust opening as this may cause an electric shock fire or damage the heater.
- 7 To prevent a possible fire do not block air intakes or exhaust

in any manner. Do not use soft surfaces, like a bed where openings may become blocked. Clean as often as necessary to prevent dust from clogging the grilles or element fins.

Keep all electrical cords drapes paper plastics and other combustibles away from heater.

- 8 Do not run cord under carpeting. Do not cover cord with throw rugs runners, etc. To prevent entanglement or damage route cord away from high traffic areas.
- 9 A heater has hot and arcing or sparking parts inside. Do not use it in areas where gasoline, paint, or flammable liquids are stored.
- 10 If this heater or its power cord become damaged or malfunction in any way, unplug heater, discontinue use and have unit repaired by a reputable repair service.
- 11 Do not operate heater without stand.
- 12 Do not use an extension cord with this heater Do not cut off plug and wire heater directly.
- 13 When heater is to be wall or ceiling mounted the anchoring provisions must be of sufficient strength to support the total weight of the heater plus the weight of the mounting provisions. Failure to properly secure the supporting members of the building structure could allow the heater to fall.

SAVE THESE INSTRUCTIONS

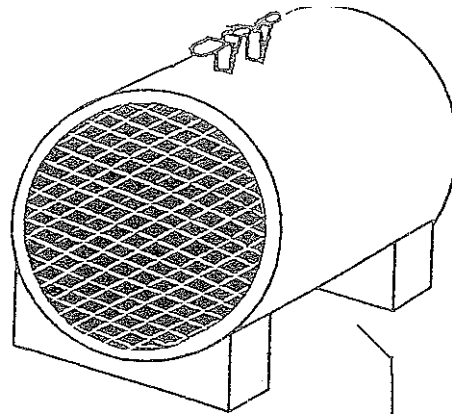
GENERAL

Prior to operating the heater, make sure the electrical outlet is of the configuration and capacity appropriate for the heater. (See outlet configuration on front page of manual.)

In workshops please locate heater away from sources of wood dust.

FLOOR APPLICATION

The heater is for floor mounting. Place the heater on floor or other flat surface and insert plug into the proper wall outlet



NAMEPLATE

BE CAREFUL NOT TO DIRECT THE AIRSTREAM AT DRAPERIES, FURNITURE, OR OTHER OBJECTS THAT COULD BE DAMAGED BY HEAT. DO NOT PLACE THE HEATER WHERE A SMALL CHILD MAY FALL OVER THE HEATER. DO NOT PLACE THE HEATER WHERE THE POWER CORD MAY BE WALKED ON, TRIPPED OVER, OR OTHERWISE SUBJECTED TO HARD USAGE.

Set thermostat to its full counterclockwise position. Plug the unit into a properly grounded 240V outlet (#6-20 for model ICH-240C). Set the thermostat to the farthest clockwise position. The fan should come on and the unit will start heating the room. When the room reaches your comfort level, turn the thermostat counterclockwise until the heater turns off. The heater will cycle automatically around this preset temperature. To increase the temperature, turn the thermostat knob clockwise. To lower the temperature, turn the thermostat counterclockwise.

CLEANING AND STORAGE

Turn thermostat off and remove the plug from electrical outlet before cleaning heater. Use a soft cloth for dusting. For cleaning, use only a damp rag and non-abrasive dish detergent. Do not use abrasive chemical cleaners as these may harm the finish. If heater is used in very dusty area, use a vacuum cleaner dust brush to remove dust and other foreign material from the grilles. Always unplug cord and wrap around heater handle when not in use. Move heater to a safe location for storage.

SERVICE

This heater does not require any routine maintenance other than occasional cleaning to prevent clogging of intake grille opening. To clean air intake grille use vacuum with brush attachment or high pressure air. The motor is permanently lubricated. Do not operate the heater with a damaged cord or plug or if the heater malfunctions or has been damaged in any manner Return heater to authorized service facility for examination of electrical or mechanical adjustment or repair.

OPERATION OF THE SAFETY THERMAL LIMIT CONTROL INDICATES THE HEATER HAS BEEN SUBJECTED TO SOME ABNORMAL CONDITIONS IT IS RECOMMENDED THAT THE HEATER BE CHECKED BY A REPUTABLE ELECTRICIAN OR REPAIR SERVICE TO INSURE THE HEATER HAS NOT BEEN DAMAGED



FILE #
E152706

MODEL	VOLTS AC	WATTS
105810	240/208	4000/3000

