



ClearSpan™
Screen House 12' Wide



Photo may show a different but similar model.

©2007 ClearSpan™
All Rights Reserved. Reproduction
is prohibited without permission.

STK#	DIMENSIONS
105680	12' W x 12' L
105681	12' W x 18' L
105682	12' W x 24' L

Revision date: 12.19.07



YOU MUST READ THIS DOCUMENT BEFORE YOU BEGIN TO ASSEMBLE THE SHELTER.

Thank you for purchasing this ClearSpan™ shelter. When properly assembled and maintained, this product will provide years of reliable service. These instructions include helpful hints and important information needed to safely assemble and properly maintain the shelter. Please read these instructions **before** you begin.

If you have any questions during the assembly, contact Customer Service for assistance.

SAFETY PRECAUTIONS

- Wear eye protection.
- Wear head protection.
- Wear gloves when handling metal tubes.
- Use a portable GFCI (Ground Fault Circuit Interrupter) when working with power tools and cords.
- Do not climb on the shelter or framing during or after construction.
- Do not occupy the shelter during high winds, tornadoes, or hurricanes.
- Provide adequate ventilation if the structure is enclosed.
- Do not store hazardous materials in the shelter.
- Provide proper ingress and egress to prevent entrapment.

ANCHORING INSTRUCTIONS

Prior to assembling this shelter, please read the **MUST READ** document included with the shipment.

⚠ WARNING: The anchor assembly is an integral part of the shelter construction. Improper anchoring may cause shelter instability and failure of the structure. Failing to anchor the shelter properly *will void the manufacturer's warranty* and may cause serious injury and damage.

LOCATION

Choosing the proper location is an important step before you begin to assemble the structure.

The following suggestions and precautions will help you determine whether your selected location is the best location.

- Never erect the structure under power lines.
- Identify whether underground cables and pipes are present *before* preparing the site or anchoring the structure.
- Location should be away from structures that could cause snow to drift on or around the building.
- Do not position the shelter where large loads such as snow and ice, large tree branches, or other overhead obstacles could fall.

SITE

After choosing a location, proper preparation of the site is essential. Follow the information below.

- *A level site is required.* The site must be level to properly and safely erect and anchor the structure.
- For sites that are not concrete or gravel, placing wood blocks or other suitable supports under each rafter leg or the perimeter base frame (if present) helps prevent the pipes from sinking or working into the site.
- Drainage: Water draining off the structure and from areas surrounding the site should drain away from the site to prevent damage to the site, the structure, and contents of the structure.

⚠ WARNING: The individuals assembling this structure are responsible for designing and furnishing all temporary bracing, shoring and support needed during the assembly process. For safety reasons, those who are not familiar with recognized construction methods and techniques must seek the help of a qualified contractor.

ASSEMBLY PROCEDURE

Following the instructions as presented will help ensure the proper assembly of your shelter. Failing to follow these steps may result in an improperly assembled and anchored shelter and will void all warranty and protection the owner is entitled.

The steps outlining the assembly process are as follows:

1. Verify that all parts are included in the shipment. Notify Customer Service for questions or concerns.
2. Read these instructions, the Must Read document, and all additional documentation included with the shipment **before** you begin assembling the shelter.
3. Gather the tools, bracing, ladders (and lifts), and assistance needed to assemble the shelter.
4. Check the weather **before** you install the roof cover and any panels (if equipped). Do not install covers or panels on a windy or stormy day.
5. Re-evaluate the location and site based on the information and precautions presented in the documentation included with the shipment.
6. Prepare the site (if applicable).
7. Assemble the frame components in the order they are presented in these instructions.
8. Assemble the frame including the struts (if equipped).
9. Consult the MUST READ document and properly anchor the assembled frame.
10. Install, tighten, and secure the main cover and panels (if equipped). This applies to fabric covers that stretch over the frame assembly. Your shelter may include roof panels or side panels or both.
11. Read the care and maintenance information at the end of these instructions.
12. Complete and return all warranty information as instructed.

LIST OF WORDS AND PHRASES

Before you begin, it is important to become familiar with the words and phrases used in this instruction manual.

These words and phrases are common to most ClearSpan™ shelters and identify the different parts of the shelter. (Some are used in this document. Others may not apply to this particular shelter.) These terms describe the shipped parts and can also be found on the materials list/spec sheets included with the shipment. To aid in the assembly, read through the following definitions before you begin to assemble your shelter.

- **Conduit:** An assembly of pipes used to secure the main cover and end panels (if equipped). Purlins and some strut assemblies also consist of connected pipes to form a conduit. Each pipe joint of a conduit assembly is secured with a self-tapping Tek screw.
- **Coupler or Fitting:** A part of the frame assembly where legs, purlins and rafter pipes are inserted and secured. In most instances, 3-way and 4-way couplers are used. In some larger applications, couplers are used to secure the joints of the different rafter sections during the assembly of the rafters. Some shelters do not use couplers.
- **Foot or Rafter Foot:** The part attached to and found at the base of the rafter or leg of the shelter. Depending on the shelter, the foot is an optional purchase. Some shelters do not offer an optional foot. Some use 1-way connectors; others use ground posts.
- **Must Read Document:** This document includes building and shelter anchoring instructions, steps for end wall reinforcement, safety precautions, and notices and warnings. The Must Read document is sent with all shelters and buildings. If you did not receive a Must Read document, contact Customer Service to request one.
- **On-Center:** Term used to describe a measurement taken from the vertical center of the rafter or frame member to the vertical center of another.
- **Purlin:** The pipe assembly that runs perpendicular to the rafters or framework that supports the main cover. Purlins are found on the sides and roof areas of the assembled frame, are evenly spaced, and typically run from the front to the back of the shelter.
- **Plain or Straight Pipe:** A term used to describe a pipe that has the same diameter or width throughout its entire length.
- **Strut:** A strut is usually a length of pipe with two flattened ends and is used for diagonal bracing of the shelter frame. A strut is typically secured to the frame work by special brackets and bolts.
- **Swaged End or Swaged Pipe:** The term “swaged” refers to the tapered end of the pipe or tube. Swaged ends of a pipe can be inserted into couplers and the straight ends of other pipes.
- **Tek screw:** A self-tapping fastener used to secure pipe joints and to fasten brackets to rafters.

CLEARSPAN™ SCREEN HOUSE

REQUIRED TOOLS

The following list identifies the main tools needed to assemble the shelter. Additional tools and supports may be needed depending on the structure, location, and application.

- Tape measure or measuring device
- Marker to mark locations on the pipes
- Variable speed drill and impact driver (cordless with extra batteries works best)
- Metal-cutting tool for pipe
- Wrench set or ratchet and socket set (recommended)
- Hammers and gloves
- Adjustable pliers
- Box cutter or utility knife
- Ladders, work platforms, and other machinery for lifting designed to work safely at the height of the shelter.

UNPACK AND IDENTIFY PARTS

The following steps will ensure that you have all the necessary parts before you begin to assemble the shelter.

1. Unpack the contents of the shipment and place where you can easily inventory the parts. Refer to the Bill of Materials/Spec Sheets.
2. Verify that all parts listed on the Bill of Materials/Spec Sheets are present. If anything is missing or you have questions, consult the Pictorial Parts Guide and all shelter diagrams for clarification, or contact Customer Service.

NOTE: At this time, you do not need to open the plastic bags containing smaller parts such as fasteners or washers.

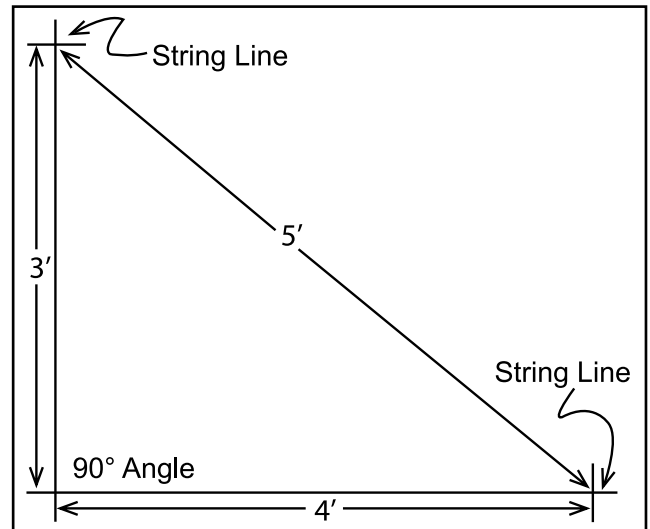
LAY OUT THE BUILDING SITE

After the site is prepared, identify the location of the shelter corners helps to square the frame after it is assembled.

Taking these steps **before** assembling the shelter saves time and ensures that the structure is positioned as desired. The following procedure is a suggested method. Its use depends on the size of the shelter, shelter application, the footings, and the method used to anchor the shelter.

SQUARE THE SITE

1. Identify a corner where a building rafter will be positioned, drive in a stake, and string a line the exact width of the building and stake in place.
2. Sting a line at least as long as the building from the first stake at 90°.



NOTE: A transit can be used to ensure an accurate 90° angle, or the 3-4-5 rule can be used. Refer to diagram. Using multiples of 3-4-5 such as 6-8-10 or 12-16-20 helps to maintain an accurate 90° angle.

3. After squaring the position of the building and placing a stake at all corners, string a line between the stakes to mark the base of the building.

NOTE: Depending on length, shelters that include side base rails may not require that you mark the site to position the shelter. However, these steps are useful as the shelter length increases.

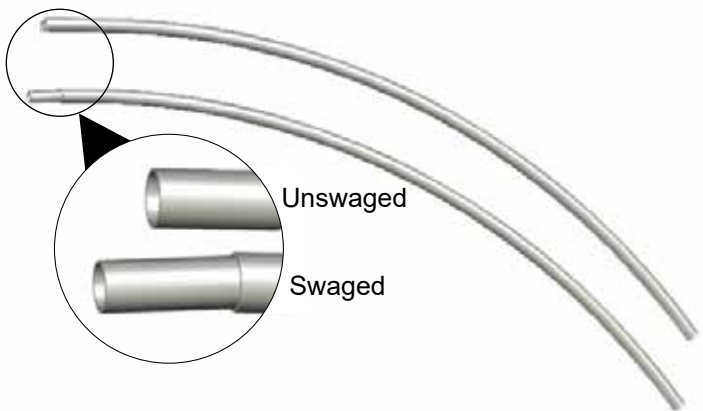
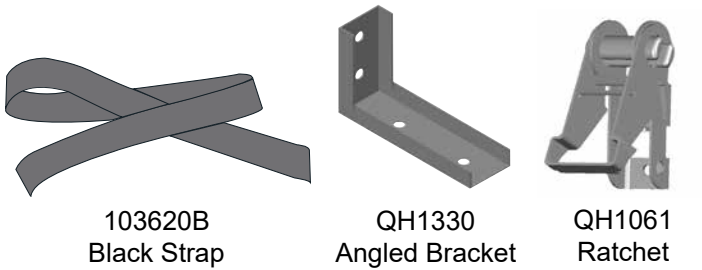
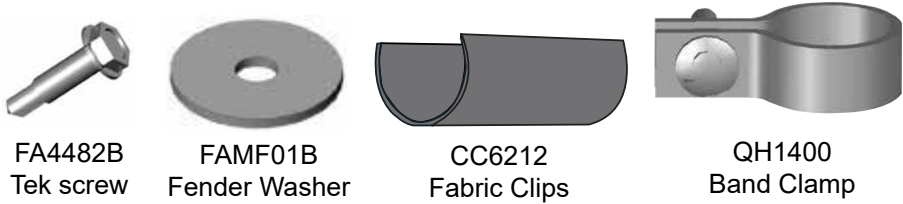
QUICK START DIAGRAMS

For a quick overview of the shelter and its components, consult the Quick Start diagrams at the back of these instructions.

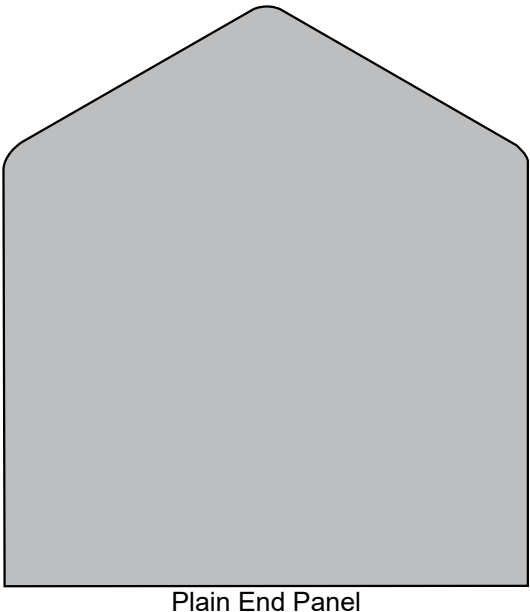
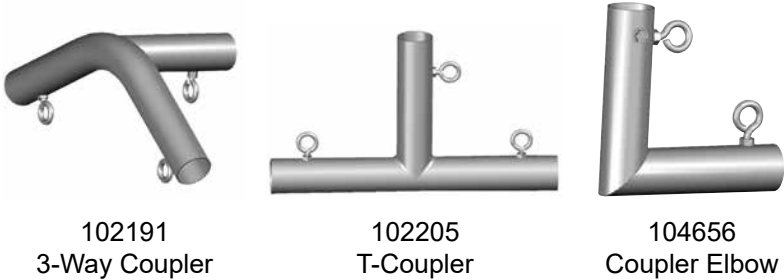
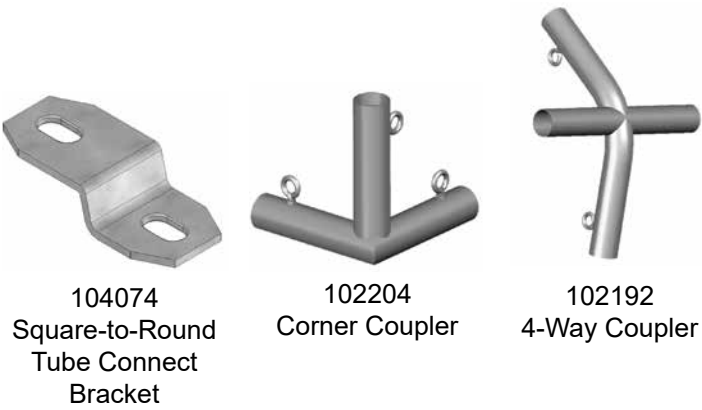
Continue with **FRAME ASSEMBLY** procedures that follow.

ClearSpan

The following graphics and photos will help you identify the different parts and show you how they are used. (Not all parts are shown.)



Swaged and Unswaged Rafter Sections (not all pieces are shown)

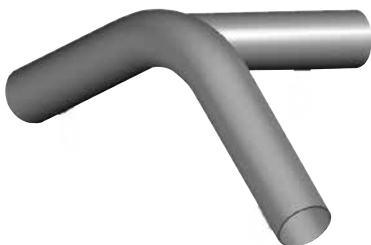


CLEARSPAN™ SCREEN HOUSE

ADDITIONAL PARTS IDENTIFICATION NOTES

In some instances, there can be differences between the parts that are shown and referenced in the instructions and the parts that are shipped with the shelter. These differences *do not* affect the integrity of the shelter, but can change the assembly procedures.

The information that follows identifies possible changes in the assembly procedure found in this instruction document. *Please implement these changes during the assembly of the shelter.*



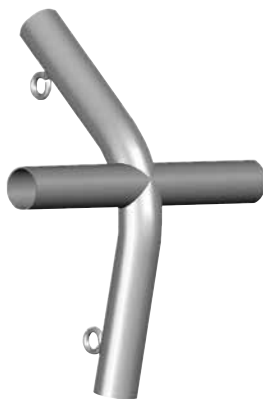
3-Way Coupler (no lock bolt)



3-Way Coupler (includes lock bolt)



4-Way Coupler (no lock bolt)



4-Way Coupler (includes lock bolt)

There can be two types of couplers used during the assembly of the shelter: those that include an installed locking eyebolt and those that do not. See above.

If the couplers included with your shelter do not have an installed lock bolt, use a *self-tapping Tek screw* to secure the different pipes to the couplers during the assembly process. The self-tapping Tek screws are included with the shipment.

ATTENTION: Tek screws are sent with all shelters of this type. For couplers with locking eyebolts, install the Tek screws at each pipe connection for additional security if desired.

⚠ WARNING: To prevent personal injury and damage to the shelter, *fasten and tighten a Tek screw* at each pipe and coupler joint.

To prevent cover damage, install the Tek screw so that it *does not* touch the main cover or any optional side or end panels once these are installed.



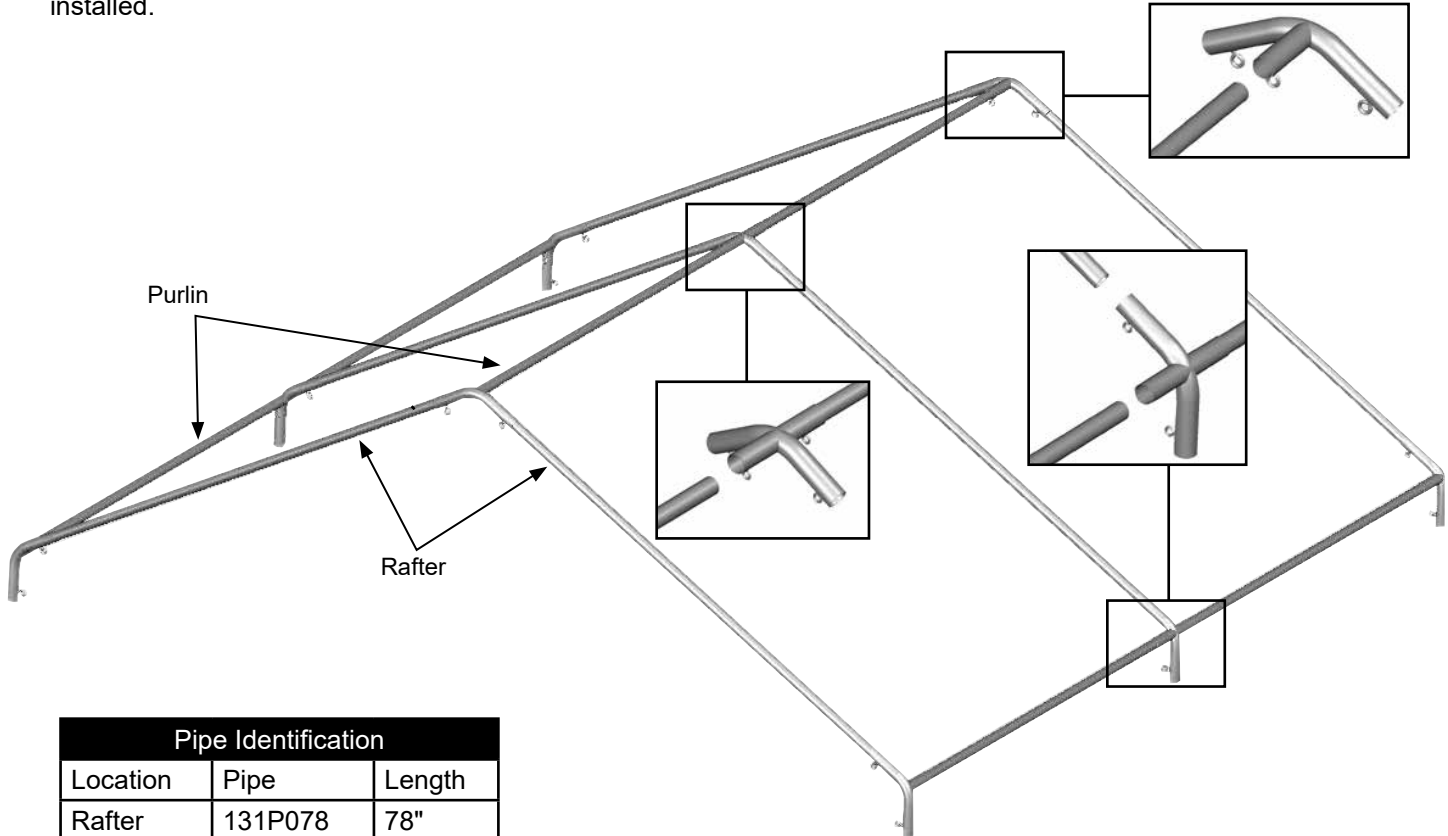
ClearSpan™ Screen House

ASSEMBLE THE MAIN ROOF FRAME

This section is an overview of the process for assembling your roof frame assembly. See illustration below to identify main parts of the assembly.

1. Locate the required couplers and pipes and assemble the roof frame as shown below.
2. Secure each pipe in the coupler using the locking eyebolt. If the couplers are not equipped with locking eyebolts, secure each pipe in the coupler using a Tek screw.

ATTENTION: Position Tek screws so they will not touch the main covers or side panels when these are installed.



Pipe Identification		
Location	Pipe	Length
Rafter	131P078	78"
Purlin	131P0705	70.5"

CLEARSPAN™ SCREEN HOUSE

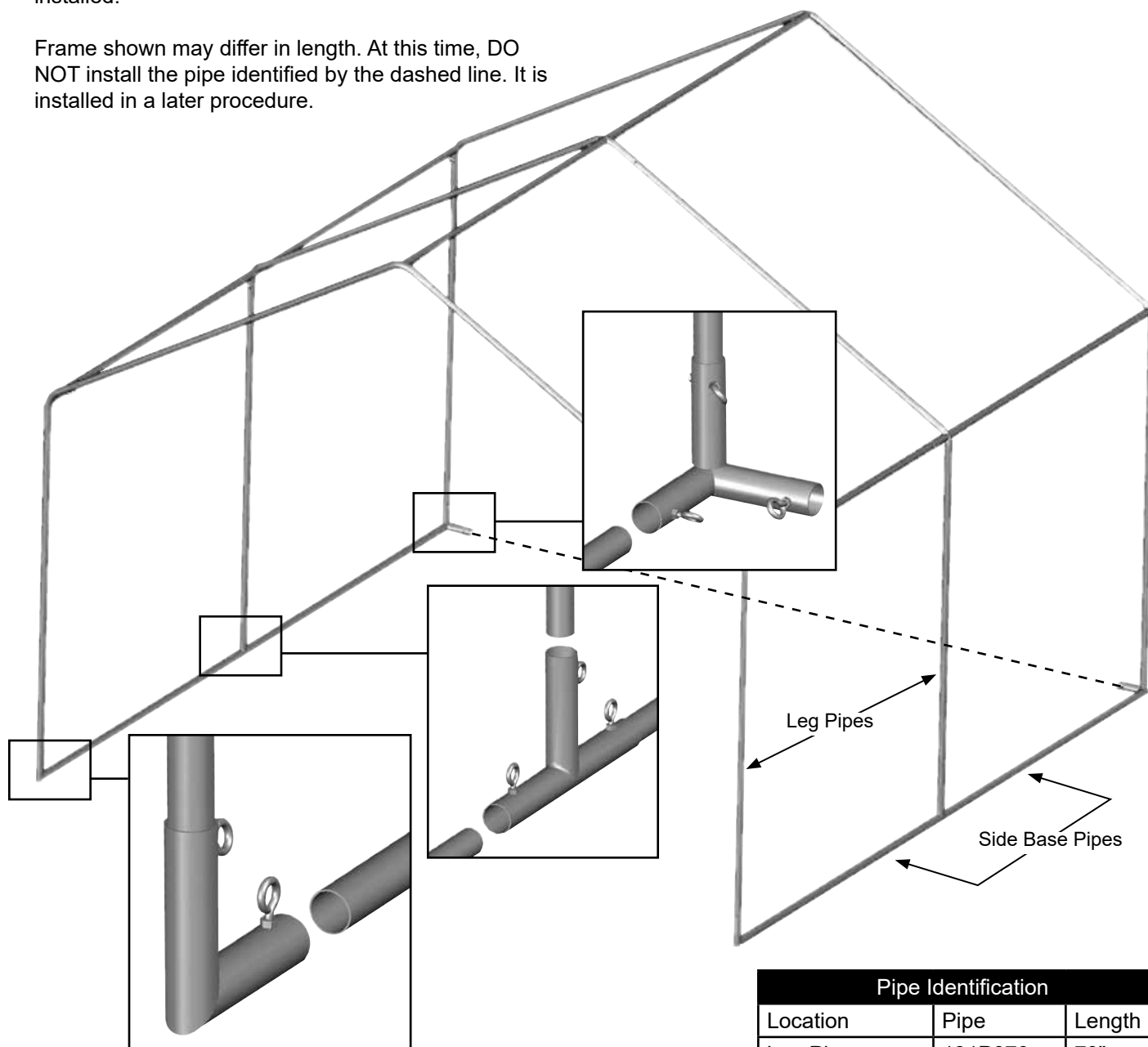
ASSEMBLE THE LOWER FRAME

This section is an overview of the process for assembling your lower frame assembly. See illustration below to identify main parts of the assembly.

1. Locate the required couplers and pipes and assemble the roof frame as shown below.
2. Secure each pipe in the coupler using the locking eyebolt. If the couplers are not equipped with locking eyebolts, secure each pipe in the coupler using a Tek screw.

ATTENTION: Position Tek screws so they will not touch the main covers or side panels when these are installed.

Frame shown may differ in length. At this time, DO NOT install the pipe identified by the dashed line. It is installed in a later procedure.



Pipe Identification		
Location	Pipe	Length
Leg Pipe	131P070	70"
Side Base Pipe	131P0705	70.5"



INSTALL END WALL FRAME ASSEMBLY: FRONT

The front end wall framing includes a base rail that is attached between the end rafter legs at ground level. Below describes one way to install the end wall.

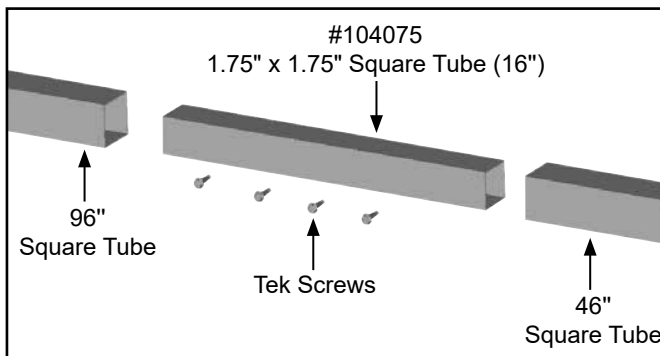
Complete these steps to assemble the end wall framing for the front end wall.

Required parts:

- 2" x 2" square tubes (#105328) (4)
- 1.75" x 1.75" square tube plain (#104075) (3)
- 36" x 80" door (#104706)
- Angle brackets (#QH1330) (6)
- 1.315" band clamps (#QH1400) (2)
- Square-to-Round brackets (#104074) (2)
- Tek screws (#FA4482B)
- 5/16" x 2 1/2" carriage bolts (#FAH320B)
- 5/16" nuts (#FALB02B)

ATTENTION: Consult the End Framing - Connections in the Quick Start Guide at the back of these instructions before you start the steps that follow.

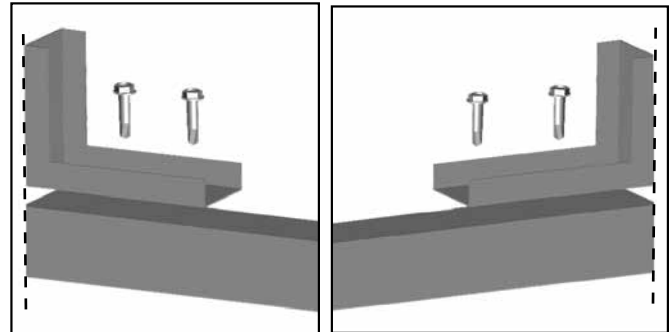
1. Locate two (2) 96" square tubes (#105328) and one (1) 16" square tube (#104075).
2. Measure and cut a 46" section of tube from one (1) of the 96" square tubes.
3. Using the 16" square tube (#104075) as an insert, connect the 46" and 96" square tubes to form the base rail for the front end wall.



4. Rotate the square tube so that the Tek screws are to the inside of the shelter.

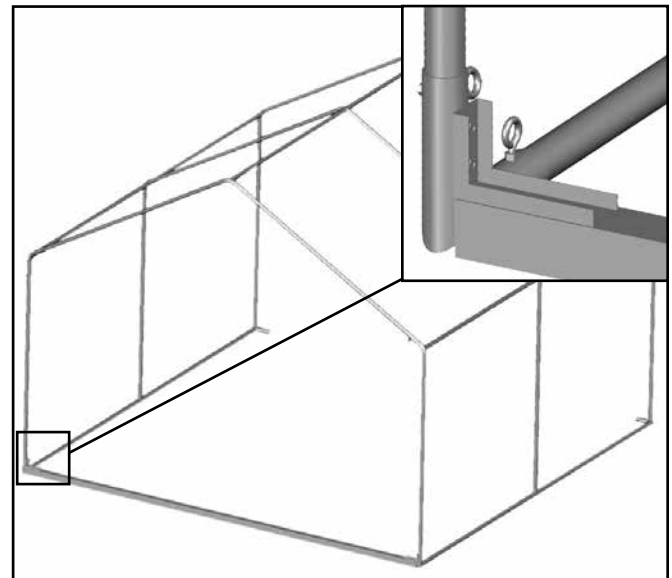
ATTENTION: To prevent damage to the end panel and interference with the door installation, do not position the rail with the Tek screw heads to the top or front/ outside surface of the assembled tube.

5. Attach one (1) angled bracket (#QH1330) to each end of the base rail.



NOTE: Make sure the brackets are flush at each end of the base rail.

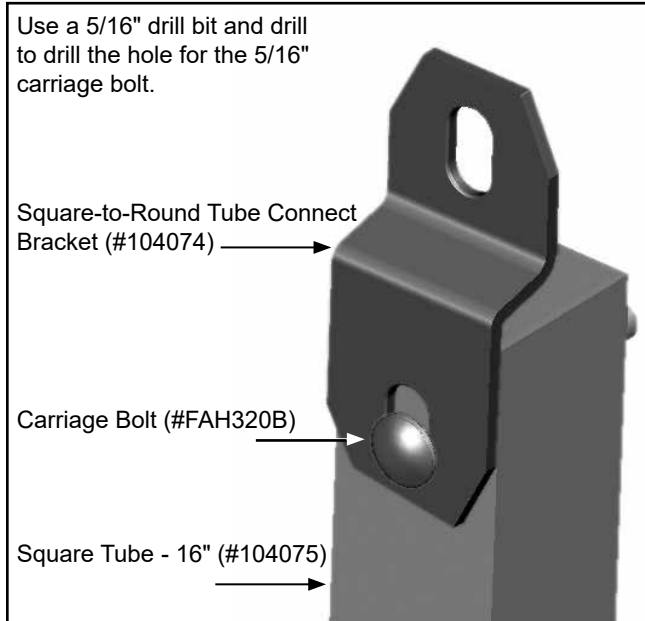
6. Position the assembly between the legs of the front end rafter and attach using Tek screws.



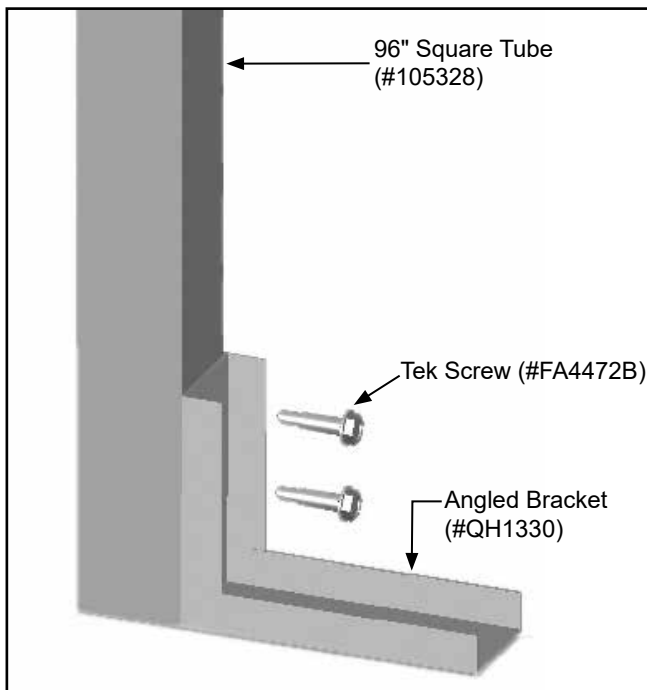
CLEARSPAN™ SCREEN HOUSE

INSTALL END WALL FRAME ASSEMBLY: FRONT (CONTINUED)

7. With the base rail secured between the end rafter legs, locate the two (2) remaining 16" square tubes (#104075) and attach one (1) square-to-round tube connector (#104074) to one end of each tube.



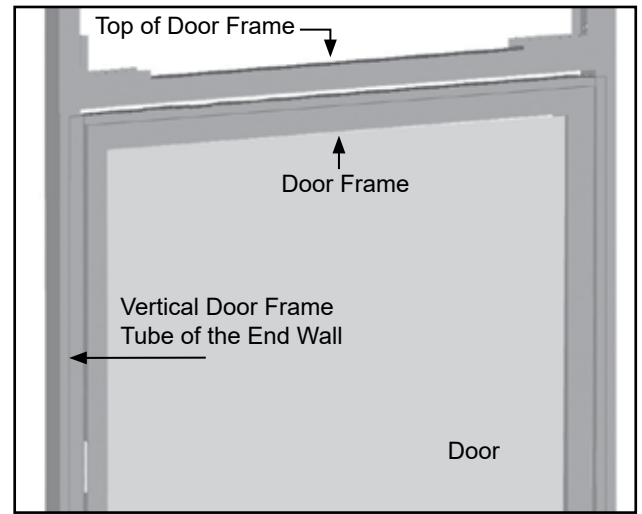
8. Locate the remaining two (2) 96" square tubes (#105328) and attach an angled bracket (#QH1330) flush at one end of each tube as shown below.



These tubes form the vertical door frame members of the end wall.

9. Measure and mark the center of the end wall base rail. This mark will be used when you center the door in the end wall.
10. Locate the pedestrian door that shipped with your shelter and measure the width of the door.
11. After measuring the width, add 1/2" to the dimension to allow room to properly install and adjust the door.

ATTENTION: The frame of the door is designed to "wrap around" the vertical door frame tubes of the end wall. Diagram below shows how the door is installed.

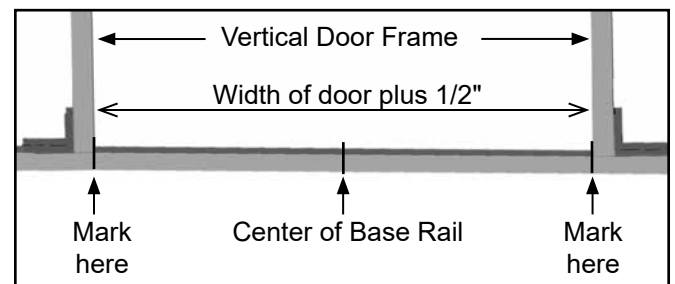


NOTE: Verify that you are measuring the width of the door correctly to allow it to be installed.

12. Using the center mark and the width determined in Steps 10 and 11, mark the *inside rough opening* for the pedestrian door.

Consult the comment that follows if needed.

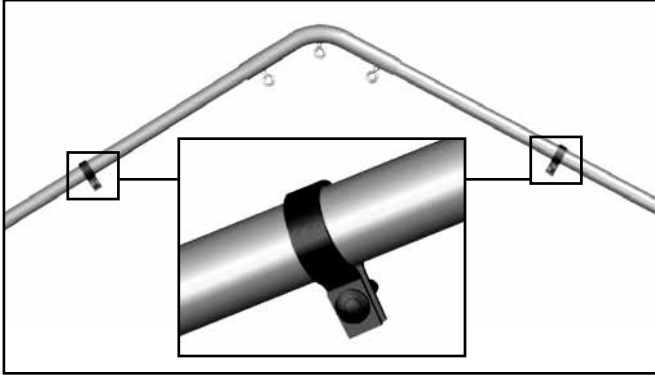
REMEMBER: The dimension for the inside rough opening of the door is the width of the door (Step 10) plus 1/2" (Step 11). Vertical tubes can be adjusted once the door is set in position.



NOTE: Vertical door frame tubes (shown above) are installed later.

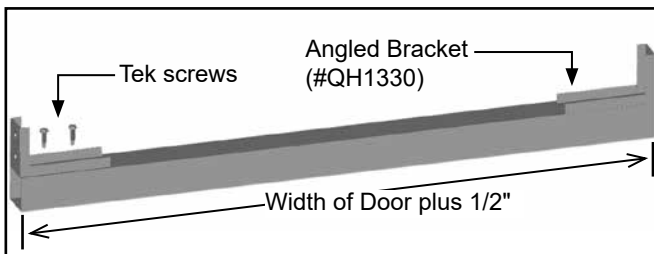
INSTALL END WALL FRAME ASSEMBLY: FRONT (CONTINUED)

- Take two (2) band clamps (#QH1400), remove the bolt and nut, and place the clamp over the upper tube of the end rafter. Use a set of pliers to squeeze the clamp back into shape once it is in position on the rafter if needed.



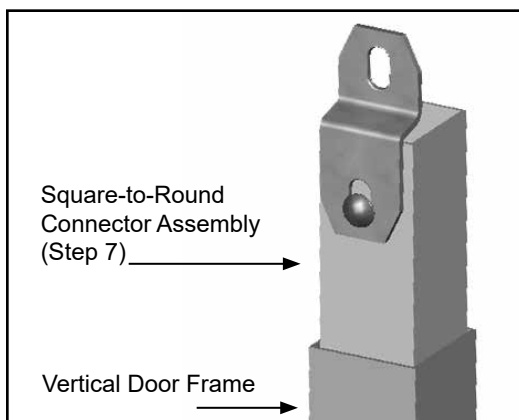
- Locate the short section of 2" x 2" square tube and cut it to the dimension determined in Steps 10 and 11. This tube is used for the top horizontal end wall door frame tube (header).
- Attach the remaining two (2) angled brackets to the header tube as shown below.

The length of the header tube is the width of the door plus 1/2". See Steps 10 and 11 if needed.

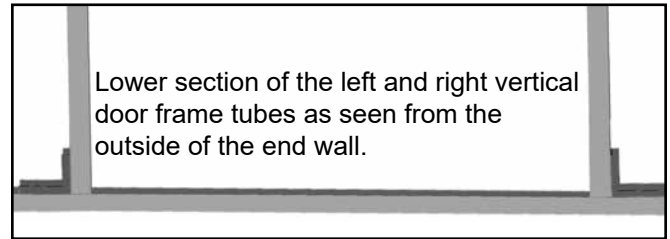


NOTE: Attach the angled brackets (#QH1330) flush with the ends of the header tube.

- Take one (1) 16" square tube and square-to-round connector assembly (Step 7) and insert it into the top of each 96" vertical door frame member (Step 8).

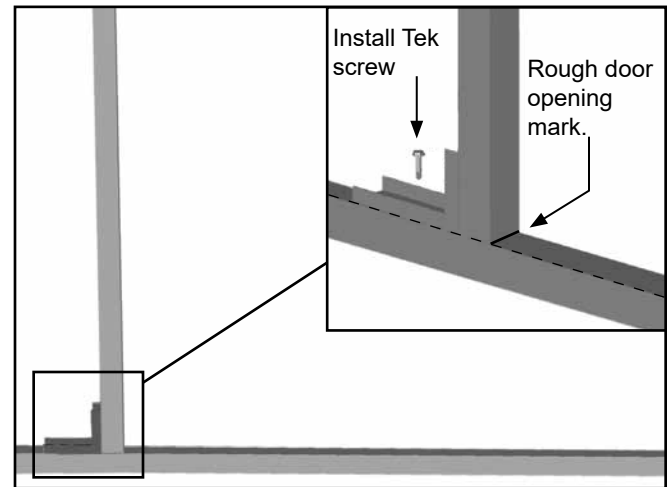


- Verify that the angled bracket (#QH1330) attached to the lower end of each frame tube is positioned to the outside of the door frame rough opening.

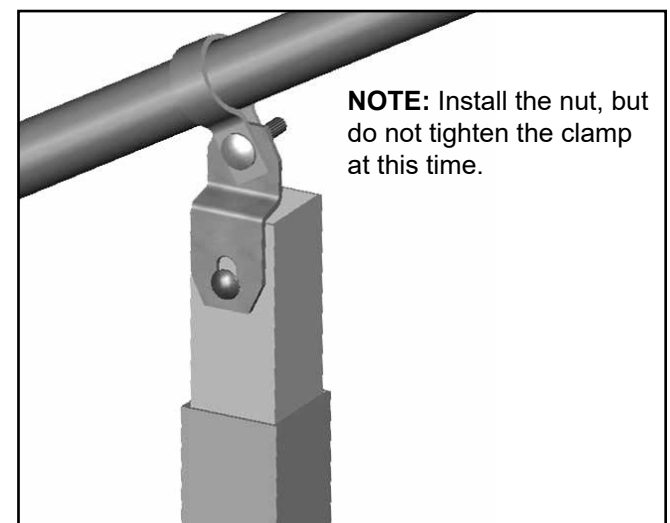


ATTENTION: Do not secure the 16" square tube insert to the top of the vertical door frame member at this time.

- Carefully position one (1) vertical door frame tube on the base rail and align the inside edge with one mark of the rough door opening. See the diagram below.



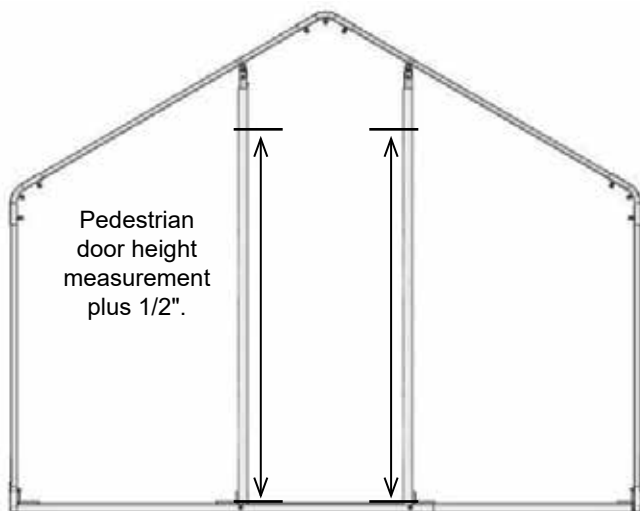
- Secure the angled bracket (#QH1330) to the base rail tube using one (1) Tek screw at this time.
- Attach the upper portion of the vertical door frame tube to the band clamp on the upper tube of the end rafter as shown below.



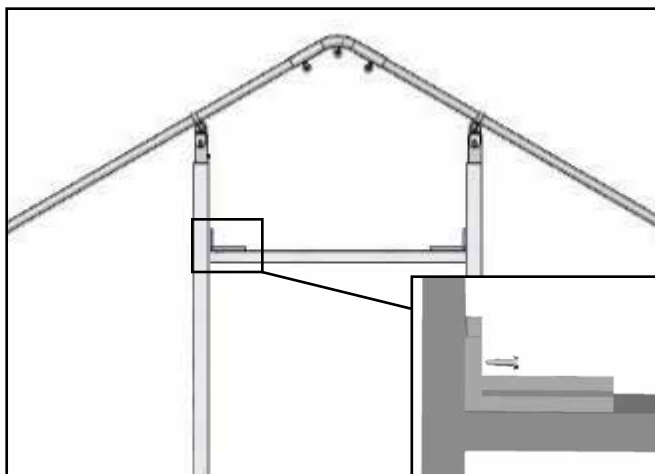
CLEARSPAN™ SCREEN HOUSE

INSTALL END WALL FRAME ASSEMBLY: FRONT (CONTINUED)

21. Repeat the steps for the remaining vertical door frame tube.
22. Using the pedestrian door, measure the height of the door and add 1/2" to allow for the proper installation and adjustment.
23. Using the dimension determined in the previous step, measure along each door frame tube from the top of the base rail and mark the location.

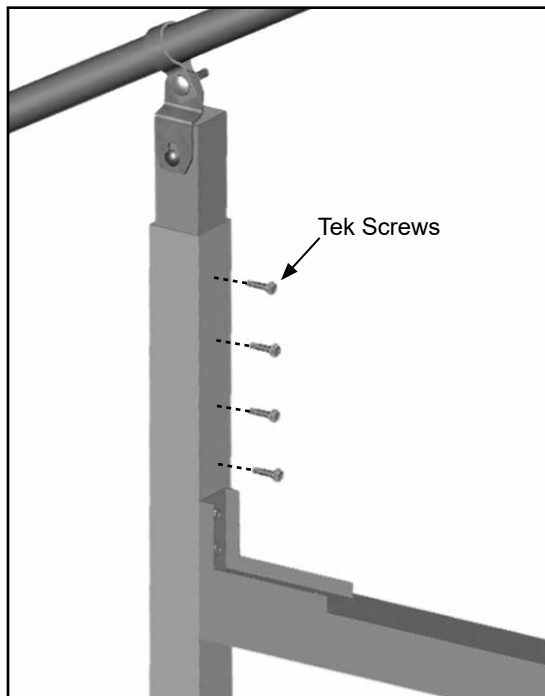


24. Position the horizontal door frame member between the vertical frame members and align the *bottom of the horizontal tube with the rough opening marks*.
25. Temporarily secure the horizontal tube to the vertical end frame tubes using one (1) Tek screw for each angled bracket. This frame tube will be removed to install the door *after* installing the end panel.

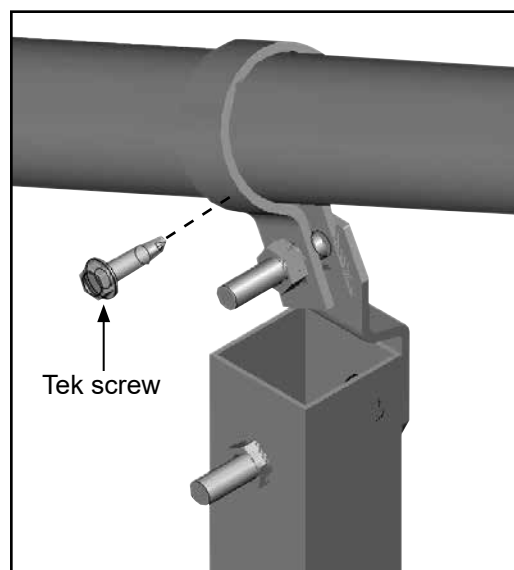


NOTE: Clamps can also be used to temporarily clamp the horizontal tube between the vertical frame tubes.

26. Verify that the vertical door frame tubes are plumb and secure both pipe clamps to the end rafter.
27. Recheck the rough door opening dimensions (top and bottom) to verify that the door opening is square.
28. Using Tek screws, secure the square tube insert to each vertical door frame tube as shown.



29. Return to each band clamp and install a Tek screw through the clamp and into the rafter pipe from the inside of the shelter to secure the clamp to the rafter.



View above is from the inside (or backside) of the end wall frame and shows the top of one vertical frame tube.

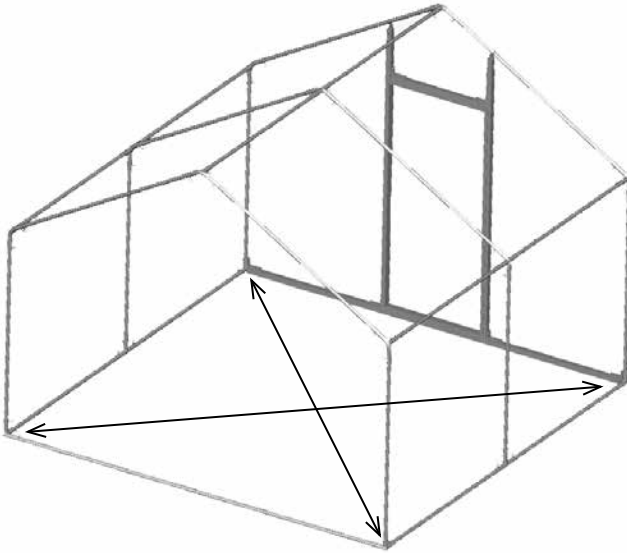
30. After assembling the back, end wall frame, square and anchor the frame.

SQUARE THE ASSEMBLED FRAME

1. With the frame in position, perform a final square of the frame by measuring diagonally (corner-to-corner) at the bottom of the legs and verify that the two measurements are equal. Adjust if needed.



Space below is reserved for customer notes.



Frame shown without end panels for clarity.

2. Adjust width. Measure width from center of rafter leg to center of other rafter leg of the *same rafter assembly*. Adjust if needed.
3. Examine the frame and remove any sharp edges from the frame or reposition screws so they do not come in contact with the roof covers.
4. After the frame is squared, read or reread the **MUST READ** document and anchor the frame in place before installing the cover or end panels.

ANCHOR THE FRAME

At this point in the assembly process, anchor the assembled frame. Once the frame assembly is anchored properly, continue with these instructions.

⚠ WARNING: Securing the legs to concrete blocks or wood boards set on the site is not a substitute for properly anchoring the shelter. You must anchor the shelter to the site.

FAILING TO PROPERLY ANCHOR THE SHELTER WILL RESULT IN DAMAGE TO THE SHELTER AND MAY CAUSE PERSONAL INJURY.

Turnbuckles and ground anchors are suitable to anchor this type of shelter. Consult a reliable construction professional if you need assistance when anchoring the assembled frame.

Contact Customer Service at 1-800-245-9881 to purchase additional parts to anchor the shelter.



DO NOT INSTALL OR ATTEMPT TO INSTALL END PANELS OR THE MAIN COVER DURING WINDY OR STORMY CONDITIONS.

CLEARSPAN™ SCREEN HOUSE

END PANEL INSTALLATION: FRONT

This procedure describes one way to install the end panel and pedestrian door.

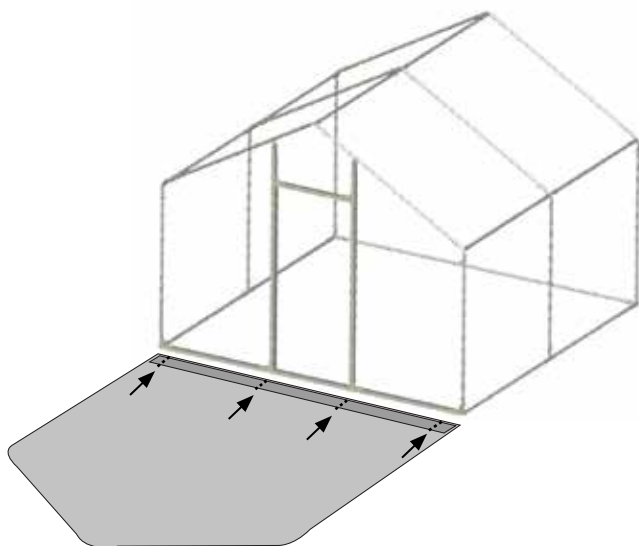
ATTENTION: The end panels are identical for both ends of the shelter. Each includes a pocket sealed at the bottom of the rectangular panel.

These panels are taller and wider than what is required to cover the ends. The excess panel material can be removed (if desired) after the panel is attached to the shelter frame.

Required parts and tools:

- End panel
- Tek screws (FA4482B)
- Fabric clips (#CC6212)
- Utility knife, nut setter (included), battery- (or electric-) powered drill to install Tek screws

1. Locate one end panel, unfold it on the ground at the end wall of the shelter, and center it with the end wall. Position the pocket along the base rail.



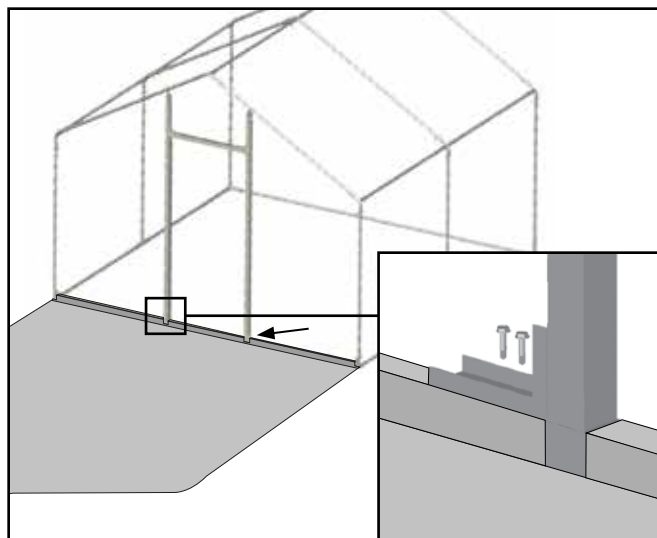
2. With the panel centered, take a utility knife (or similar cutting tool) and slice the pocket material in the locations shown by the arrows and lines above.

ATTENTION: Cut only the pocket of the end panel. Do not cut through the end panel.

3. After cutting the end panel pocket, detach the base rail of the end wall frame from the four (4) angled brackets (#QH1330). Leave the angled brackets attached to the rafter legs and vertical door frame members.

NOTE: Loosen—do not remove—the frame anchors if needed to remove the base rail and to install the panel.

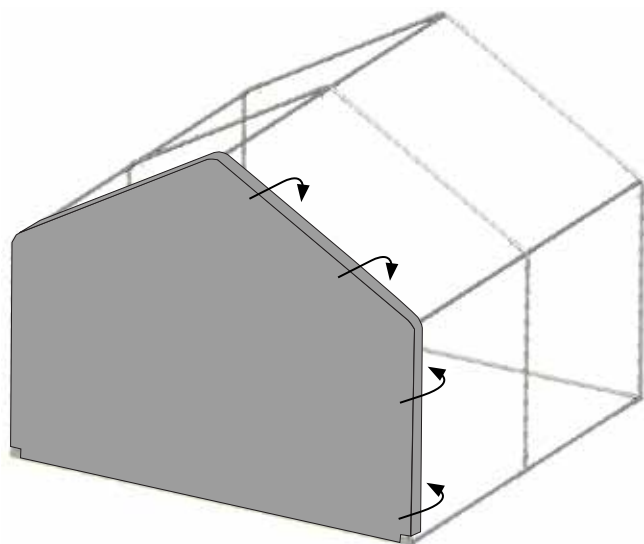
4. Take the base rail and insert it into the pocket of the end panel beginning at either of the outer cuts made in Step 2.



5. With the base rail in the end panel pocket, reattach the rail to the QH1330 brackets using the same holes to install the screws.

NOTE: Use two Tek screws for each QH1330 bracket. Install only one (1) Tek screw to secure the right vertical at this time. This tube will be loosened to install the door.

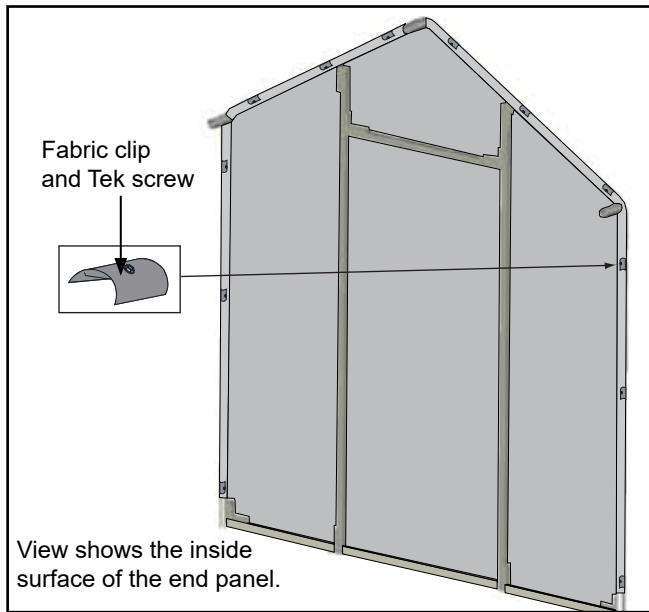
6. Using adequate assistance, lift the end panel up and over the end rafter and stretch it into position.



The excess end panel material can be removed after the panel is attached to the rafter pipe.

END PANEL INSTALLATION: FRONT (CONTINUED)

7. Fold the edges around the rafter pipes and secure the panel to the rafter pipes using fabric clips and Tek screws.



ATTENTION: Divide the fabric clips in half and use half to secure each end panel. Space the clips evenly along the rafter as shown above.

Position the Tek screws so they will not touch the main cover when it is installed.

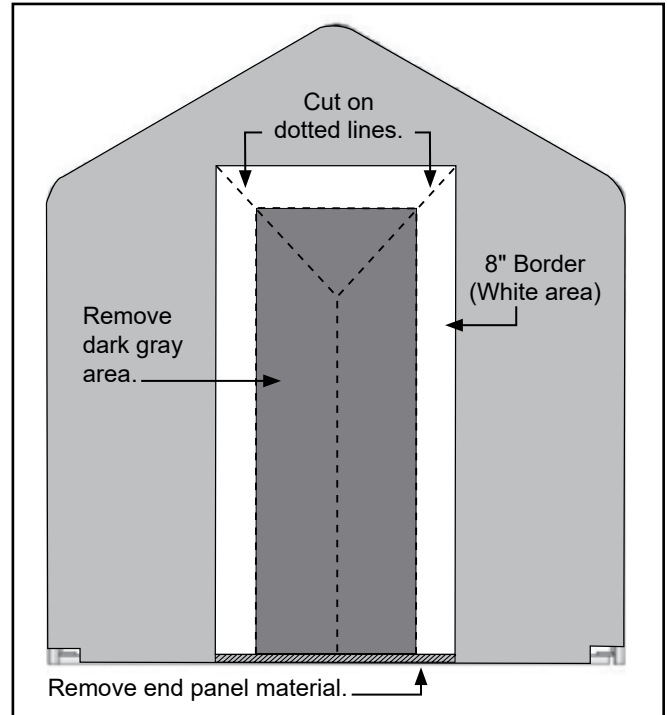
The number of fabric clips shown above may not match the number used for your greenhouse.

8. After securing the end panel to the rafter, retighten the frame anchors and cut the opening for the pedestrian door.

CUT THE DOOR OPENING: FRONT END PANEL

The end panel material is cut and removed from the rough opening of the pedestrian door. These steps describe one way to do this.

1. From the outside of the shelter, use a utility knife to cut the end panel as shown below. The dashed lines show where to make the three (3) cuts.
2. After cutting the end panel in the locations shown by the dashed lines, remove the part of the panel shown by the shaded area in the diagram below.



ATTENTION: Allow an 8" border to remain in the door opening. The white areas in the above diagram identify this 8" border.

This material is wrapped around the door frame tubes of the end wall and secured to the inside of the door frame tubes using Tek screws and fender washers.

3. Remove the end panel material from the base rail between the vertical door frame tubes. See diagram above.
4. Continue by installing the pedestrian door.

CLEARSPAN™ SCREEN HOUSE

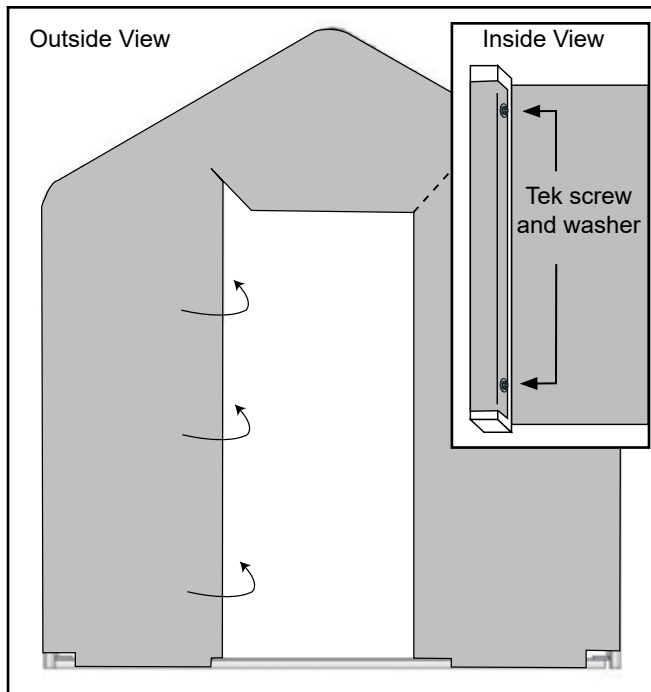
INSTALL THE PEDESTRIAN DOOR

The door for the shelter is installed between the vertical door frame members of the end wall. The following steps describe one way to install the door.

1. Wrap one side of end panel material (remaining in the door opening) around the left vertical door frame member, *which is secured to the base rail*.

ATTENTION: The remaining vertical door frame tube should be loose at the bottom to allow for the installation of the door. If this tube is attached to the rail, remove the Tek screw before you continue with these steps. See diagram to the right.

2. Secure the end panel material to the door frame tube using Tek screws and washers and evenly space these (12"-14") along the tube.

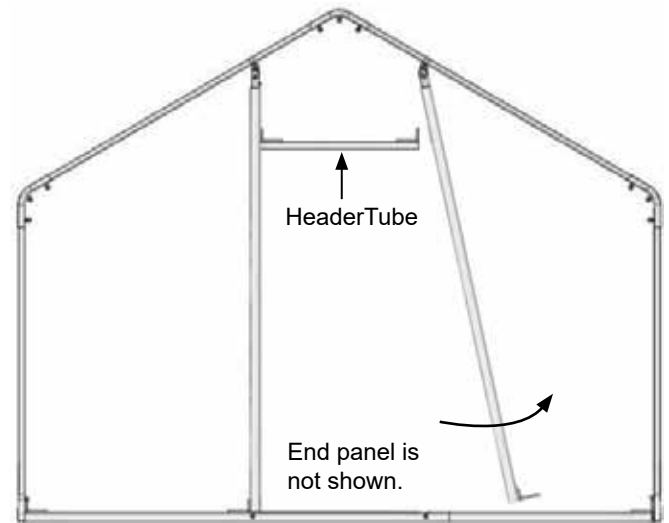


The insert above shows the Tek screws and washers attached to the frame *from the inside of the shelter*.

NOTE: Do not secure the end panel material to the *backside of the vertical door frame tubes*. Doing so will interfere with the installation of the door.

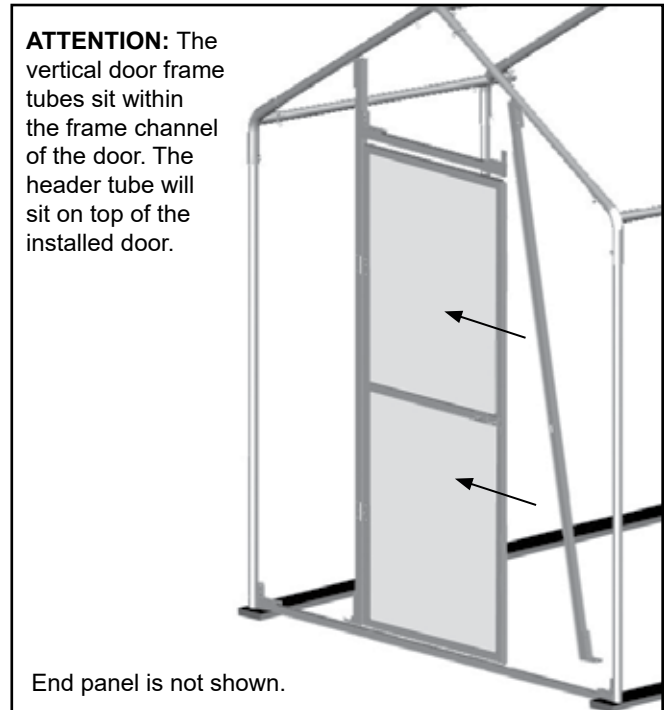
The arrows in the previous diagram show which surface of the vertical tube to attach the end panel material that is wrapped around the vertical door frame tube.

3. With the end panel secured to the left door frame tube, remove the header tube. Allow the brackets to remain *attached to the header tube*.



View is from the *outside of the frame*. End panel is not shown to better show the frame.

4. Move to the bottom of the vertical door frame tube and swing the tube outward as shown above.
5. With the proper assistance, lift the pedestrian door and position it in the opening.



INSTALL THE PEDESTRIAN DOOR (CONTINUED)

6. With the door installed, swing the loose vertical door frame tube back into position.
7. Feed the end panel material between the vertical tube and the frame of the pedestrian door.
8. Secure the vertical tube to the base rail and reattach the horizontal tube (header) between the vertical tubes.

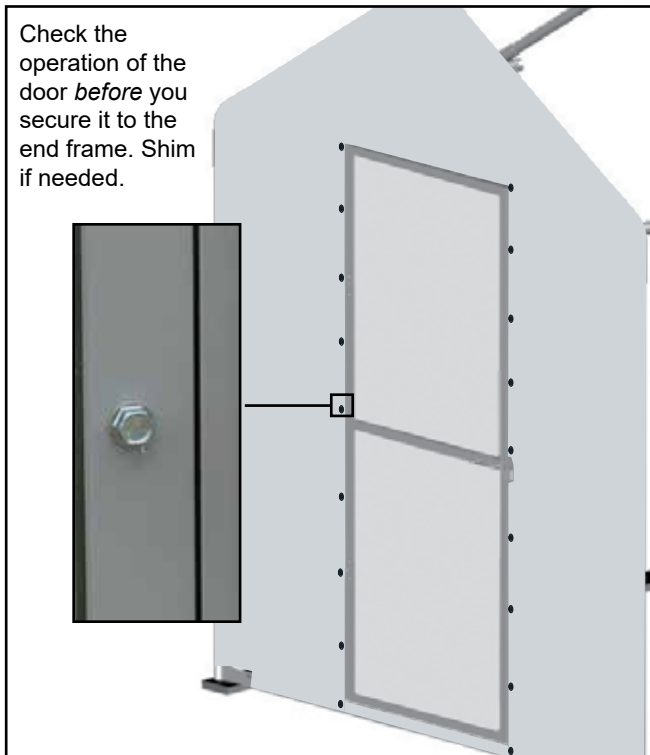
NOTE: Verify that the end panel material is between the top of the door frame and the header before you reattach the tube.

The header can be adjusted as needed to properly adjust the door.

9. Stretch the panel material as needed and secure it to the remaining door frame members on the inside of the assembled frame.

ATTENTION: Refer to Steps 1 and 2 if needed.

10. Verify that the door is in the desired position and adjusted and install Tek screws *from the outside through the door frame* of the door and into the end wall door frame tubes.



Evenly space the Tek screws (12"-14") to secure the door to the end wall frame.

11. After the door is secured to the end wall frame, verify that the end panel is stretched, test the door, and remove the excess panel material (if desired).
12. Continue by installing the remaining end panel.

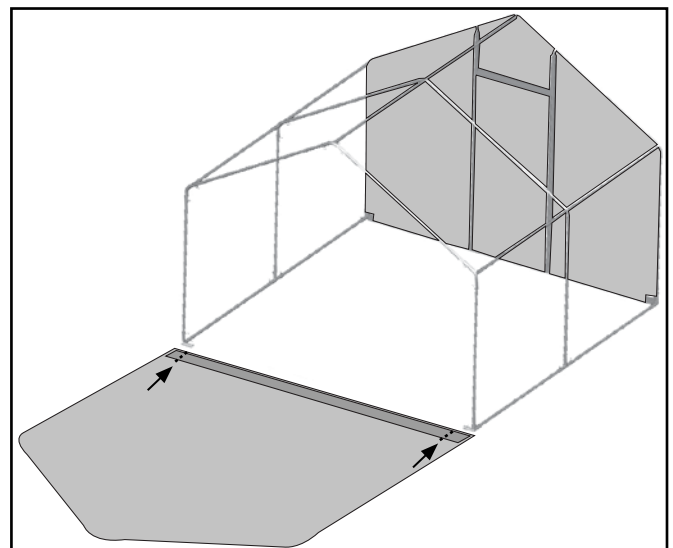
END PANEL INSTALLATION: BACK

The end panel for the remaining end wall is installed and secured in the same manner as the previous end panel. The following steps describe one way to install the panel.

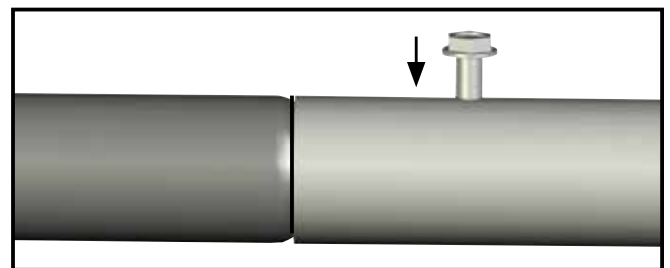
Required tools and parts include:

- Solid end panel
- 131S075 swaged pipe (1)
- 131P0705 plain pipe (1)
- Tek screws (#FA4482B)
- Fabric clips (#CC6213)

1. Locate the remaining end panel, unfold it on the ground at the end wall of the shelter, and center it with the end wall.
2. Cut the panel pocket using the arrows and lines below for a guide.



3. Locate one (1) 75" swaged pipe (#131S075) and one (1) 70-1/2" plain pipe (#131P0705) and connect the pipes, securing the joint with one Tek screw.



4. Tape the connection and Tek screw with duct tape and slide the pipe assembly into the pocket.

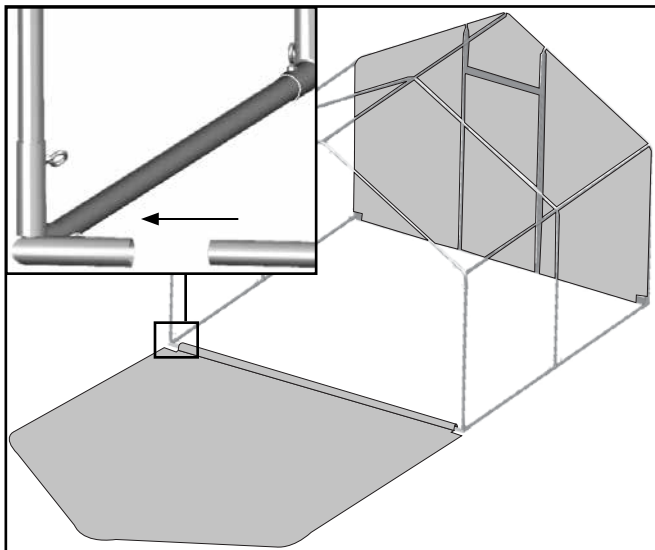
CLEARSPAN™ SCREEN HOUSE

END PANEL INSTALLATION: BACK (CONTINUED)

5. Slide each end of the end panel pipe into the remaining opening of each 3-Way coupler located at the ends of the end rafter legs.

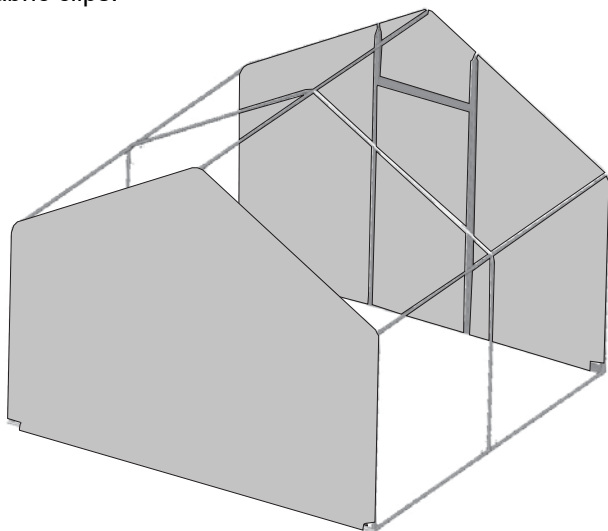


Space below is reserved for customer notes.



NOTE: It may be necessary to spread the end rafter to insert the pipe into each coupler. The end panel shown in the insert has been hidden to better see the pipe and coupler.

6. Secure the pipe ends in each coupler with either a locking eyebolt or a Tek screw.
7. With the end panel conduit secure between the end rafter legs, pull the end panel up and over the end rafter and attach it to the rafter using Tek screws and fabric clips.



NOTE: Refer to Step 7 of the previous End Panel Installation procedure if needed.

8. Trim the excess panel material if desired.
9. Once the back end panel is in place and secured, retighten all frame anchors (if needed), and install the ratchets.

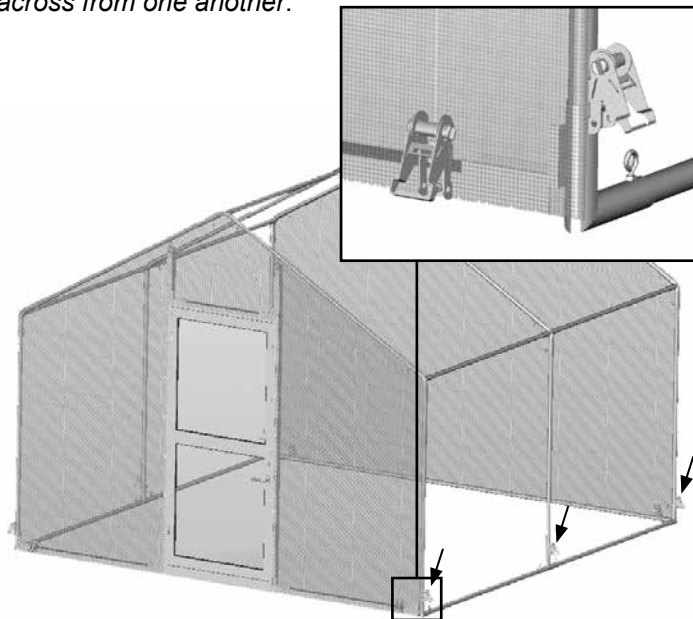
RATCHET INSTALLATION

The main cover is secured to the shelter frame using ratchets and straps. Two (2) ratchets are attached to each of the end panel conduits. (These are the pipe or tube assemblies installed in the bottom pocket of each end panel.)

The remaining ratchets are evenly spaced and attached to the rafter legs *immediately across from one another along the sides of the frame.*

NOTE: For some shelters, ratchets are attached to each mid rafter; for other shelters, ratchets are attached to every other mid rafter.

The main point is to position the ratchets as evenly as possible along each side of the shelter and immediately across from one another.

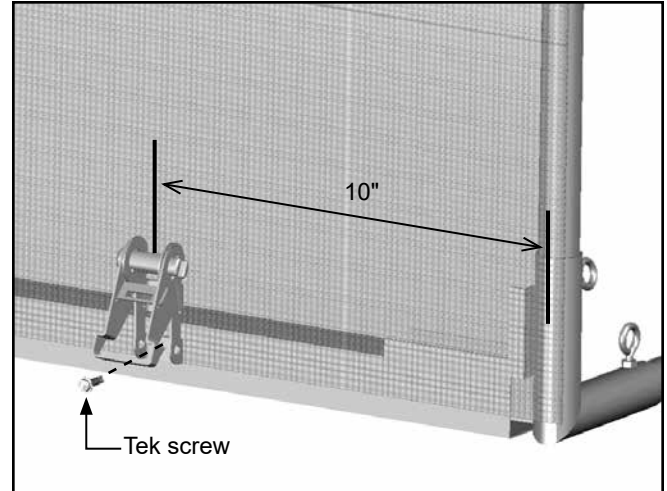


Ratchet Locations: Ratchets are attached to the outside of the rafter legs and to the *end panel conduit* as shown above. *Frame shown may differ in length.*

Complete these steps to attach the ratchets to the frame:

1. Locate the ratchets and Tek screws used to attach the ratchets to the frame.

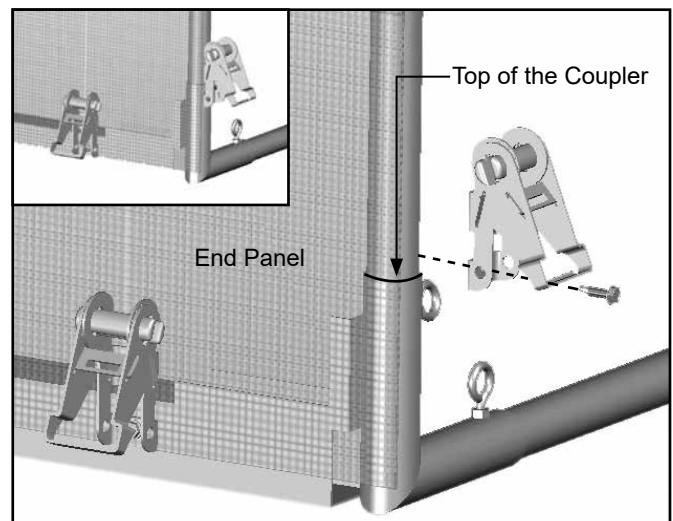
2. Move to the outside of the front end rafter and attach one (1) ratchet to the frame tube as shown in the diagram that follows.



Ratchet is attached approximately 10" in from the center of the end rafter pipe so it is in line with the strap in the main cover bonnet when the main cover is installed.

3. Repeat Step 2 to attach the remaining ratchets to the *end frame conduits.*
4. Move to *each end rafter* and attach a ratchet to the side of the rafter as shown in the next diagram.

NOTE: All side ratchets are attached to the rafter leg *just above the top of the coupler.*



ATTENTION: Each corner of the shelter will resemble the corner shown in the above insert.

5. Divide, evenly space, and attach the remaining ratchets along each side of the shelter frame.
6. After attaching all ratchets, verify that the frame is anchored and that all anchors are tight and install the main cover.

CLEARSPAN™ SCREEN HOUSE

MAIN COVER INSTALLATION

The main cover is secured to the frame using ratchets and straps. The straps are wrapped around a conduit inserted in a pocket along each side of the cover.

When installed properly, the main cover skirt covers the ratchets and straps used to secure the cover in place.

⚠ WARNING: To prevent damage to the cover and to prevent serious personal injury, *DO NOT attempt to install the main cover on windy days.*

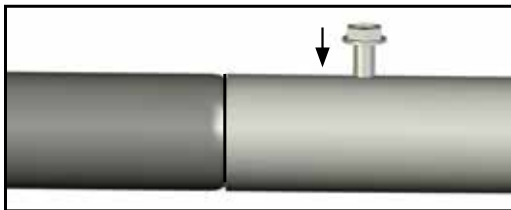
The following steps describe one way to assemble the cover conduits and to install the main cover.

1. Locate the round 1.315" pipes for the cover conduits and assemble the two (2) cover conduits for the main cover.

Each cover conduit assembly consist of following swaged and plain pipes:

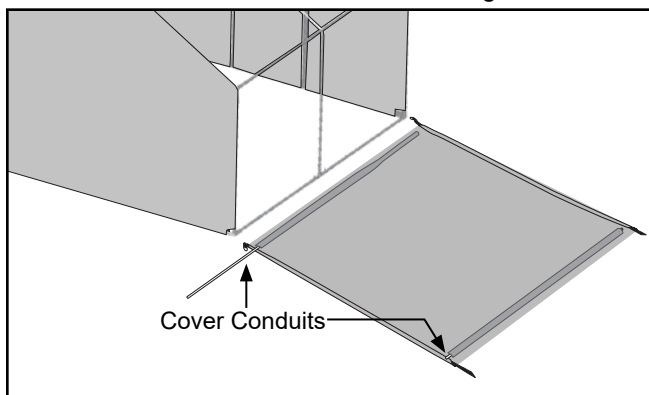
	Swaged Pipe	Plain Pipe
105680	#131S075 (1)	#131P0735 (1)
105681	#131S075 (2)	#131P0735 (1)
105682	#131S075 (3)	#131P0735 (1)

2. After assembling the two (2) cover conduits of equal length, secure the pipe joints with a Tek screw and tape over the screw head with duct tape.



These cover conduits are inserted into the pockets sewn into the main cover. The conduits are used to tighten and secure the main cover.

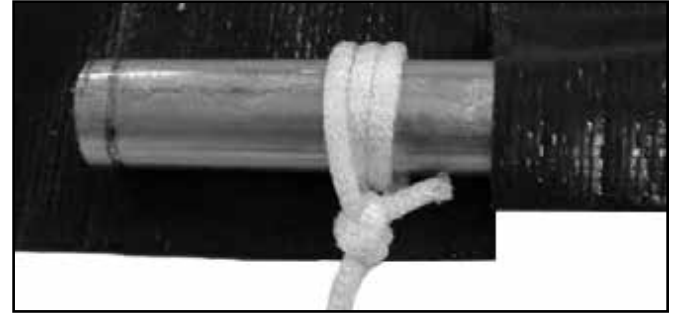
3. Locate the main cover and spread it out on the ground (with its underside facing up) along the side of the assembled and anchored frame. See diagram below.



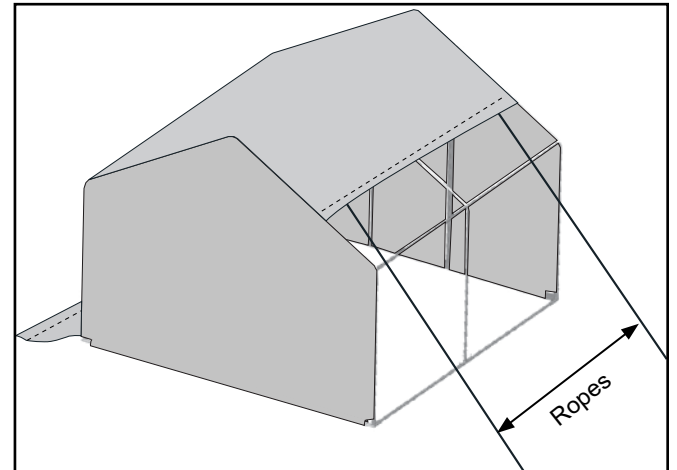
Frame length shown may differ from actual frame.

NOTE: The black straps in the main cover are positioned at the front and back of the assembled frame.

4. Insert the cover conduits into the pockets along the sides of the main cover.
5. After inserting the cover conduits and with the cover positioned along the side of the frame, attach ropes to both ends of the cover conduit. Wrap the rope around the conduit a few times to prevent it from slipping off.



6. With all ropes attached to the cover conduit, lift the conduit and carry the cover toward the base of the frame.
7. Toss the ropes over the frame and pull the cover into position. One person is required at each rope.



Frame length shown may differ from actual frame.

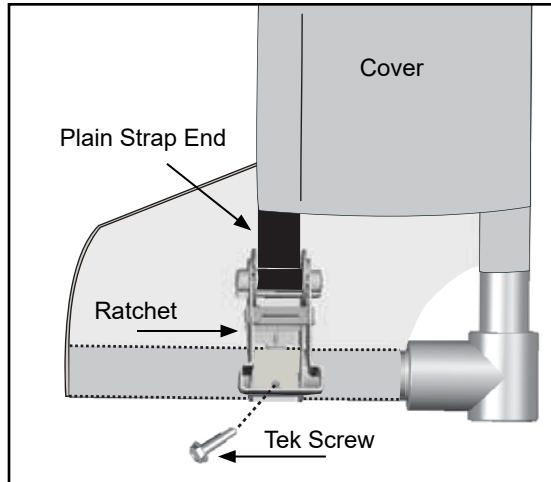
NOTE: Do not use the straps in the bonnet pocket of the main cover to pull the cover into place. *These straps will pull out.*

8. With the cover on the frame, center the cover end-to-end and side-to-side as needed.

MAIN COVER INSTALLATION (CONTINUED)

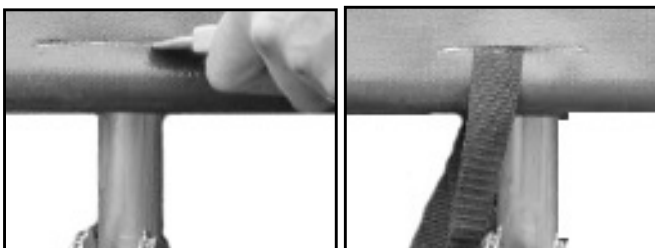
9. Insert the straps from the main cover bonnet, into the ratchets attached to the end panel conduit.

NOTE: Do not tighten the straps completely at this time.



The illustration above shows the main cover bonnet and how to attach the bonnet straps to the ratchet only. It is of a different shelter. Ratchet location may vary slightly.

10. After the ends of the main cover are secured in the ratchets, locate the 1" x 3' straps used to secure the sides of the main cover to the frame.
11. Lift the main cover skirt and make a small cut through the cover conduit pocket material above the cover conduit at the location of a side ratchet.

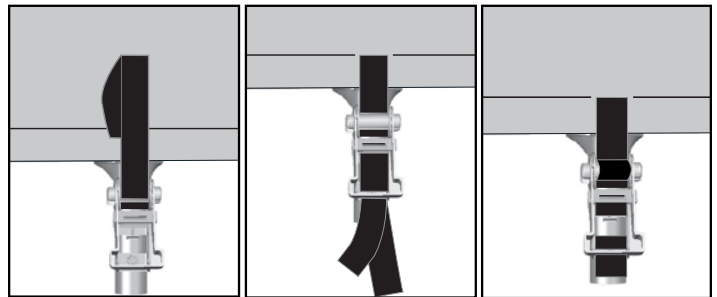


NOTE: DO NOT cut through the main cover. *Cut through the conduit pocket only.*

12. Insert a 3' section of strap through the slit and around the cover conduit.

13. Thread the strap ends into the ratchet and slightly tighten.

NOTE: It may be necessary to remove excess strap if it binds up in the ratchet.



14. Repeat the steps for the remaining ratchet or ratchets.
15. Using additional help (if needed) tighten the main cover beginning with the ratchets along the side of the shelter frame.
16. After the side ratchets are tightened, return to the front and back end wall ratchets and tighten.

NOTE: Loosen the ratchets if needed to remove excess strap and retighten.

17. Fold the skirt of main cover down and over the ratchets to complete the installation of the main cover.
18. Read the care and maintenance information that follows.

CLEARSPAN™ SCREEN HOUSE

SHELTER CARE AND MAINTENANCE

Proper care and maintenance of your shelter is important. Check the following items periodically to properly maintain your shelter:

- Regularly check the main cover and panels (if equipped) to see that these remain tight and in proper repair.
- Check connections and all fasteners to verify that they remain tight.
- Do not climb or stand on the shelter at anytime.
- Remove debris and objects that may accumulate on the shelter. Use tools that will not damage the cover when removing debris.
- Remove snow to prevent excess accumulation. Use tools that will not damage the cover when removing snow.
- Check the contents of the shelter to verify that nothing is touching the cover or the side panels that could cause damage.
- Check the anchoring system to ensure that all components are tight and in good repair.
- If the shelter is moved, inspect all parts and connections before reassembling.
- For replacement or missing parts, call 1-800-245-9881 for assistance.



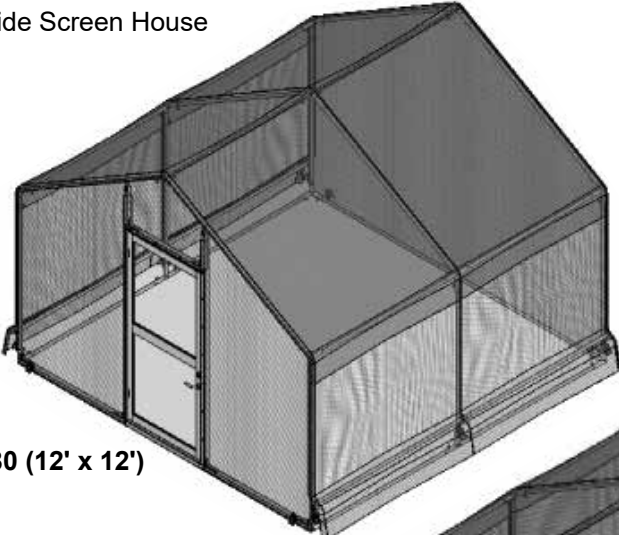
Space below is reserved for customer notes.

NOTE: With the exception of Truss Arch buildings, ClearSpan™ shelters and greenhouses do not have any tested loading criteria.

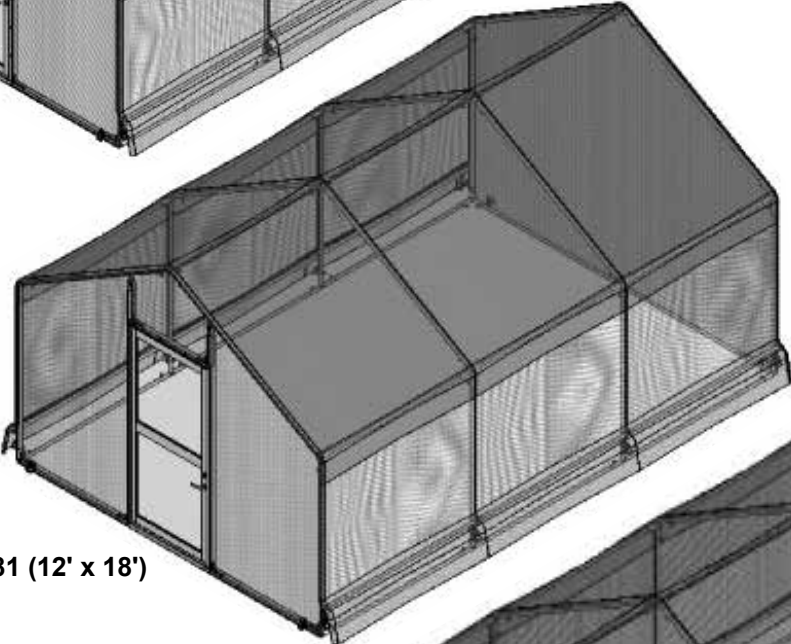
ClearSpan

QUICK START GUIDE

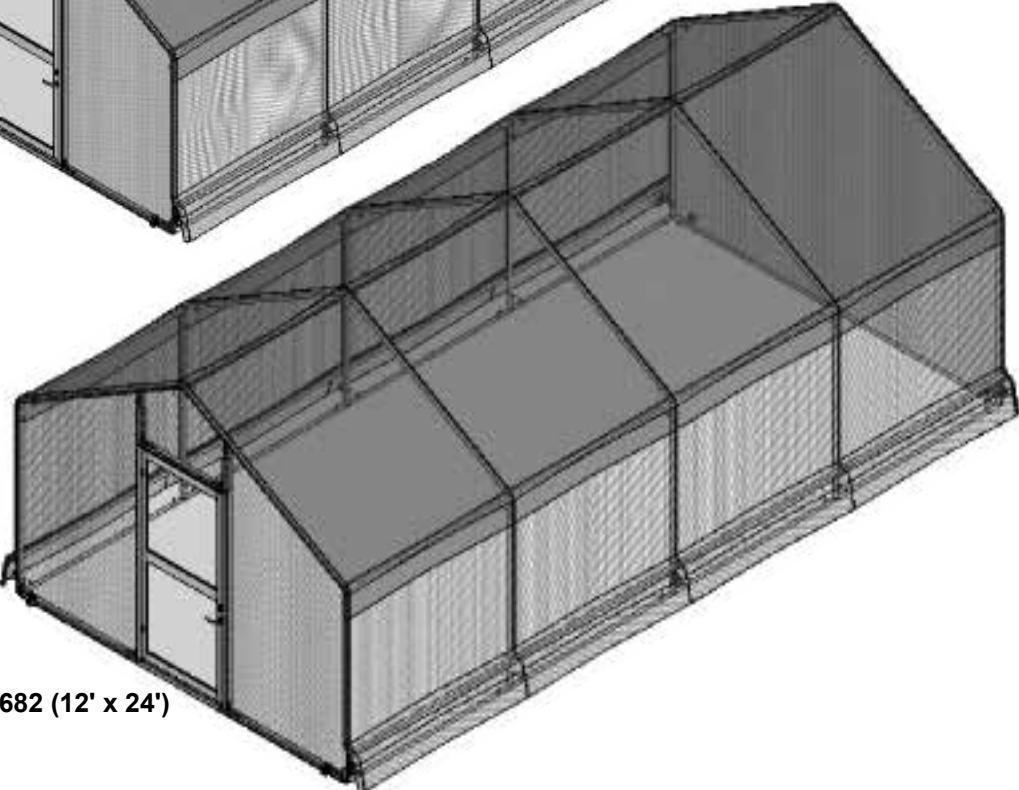
12' Wide Screen House



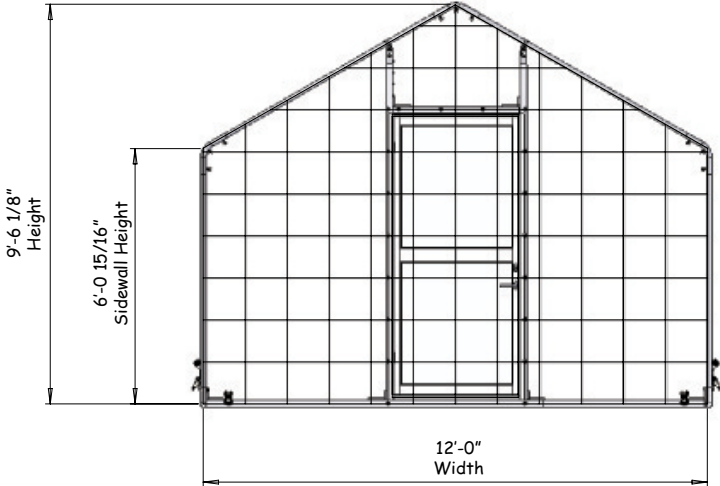
105680 (12' x 12')



105681 (12' x 18')

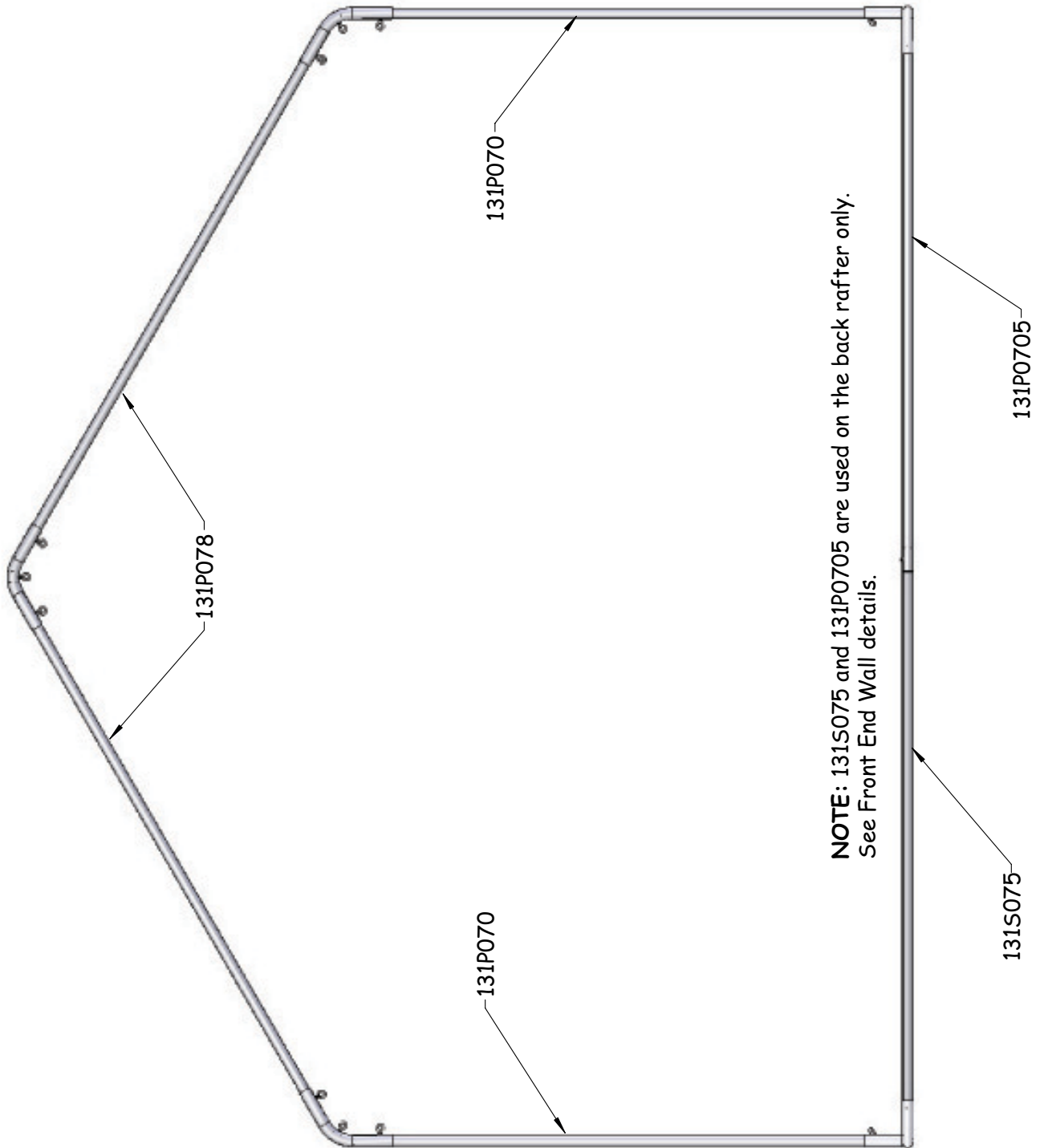


105682 (12' x 24')



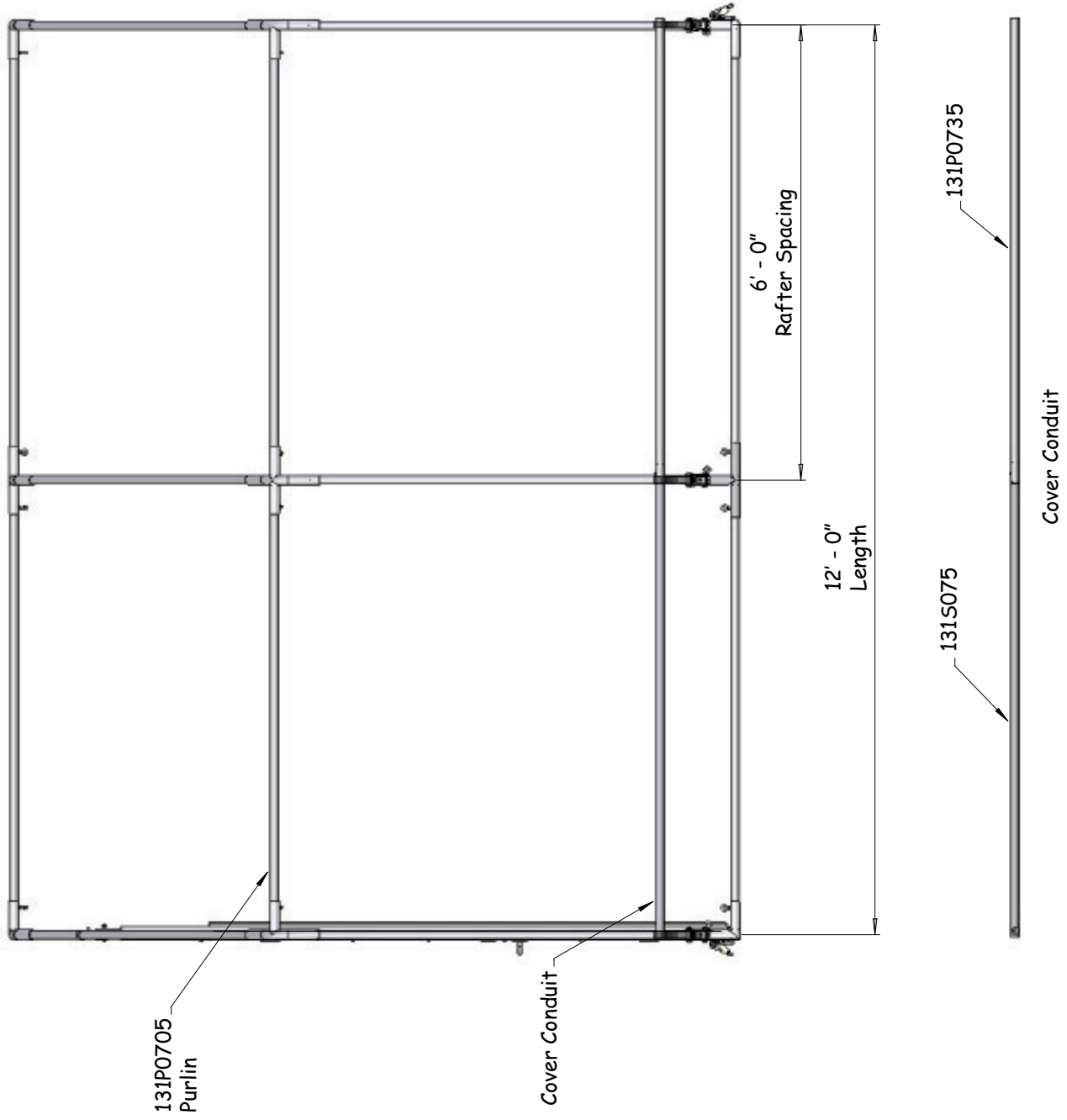
FRONT
Grid Represents 12" Squares

FRONT PROFILE

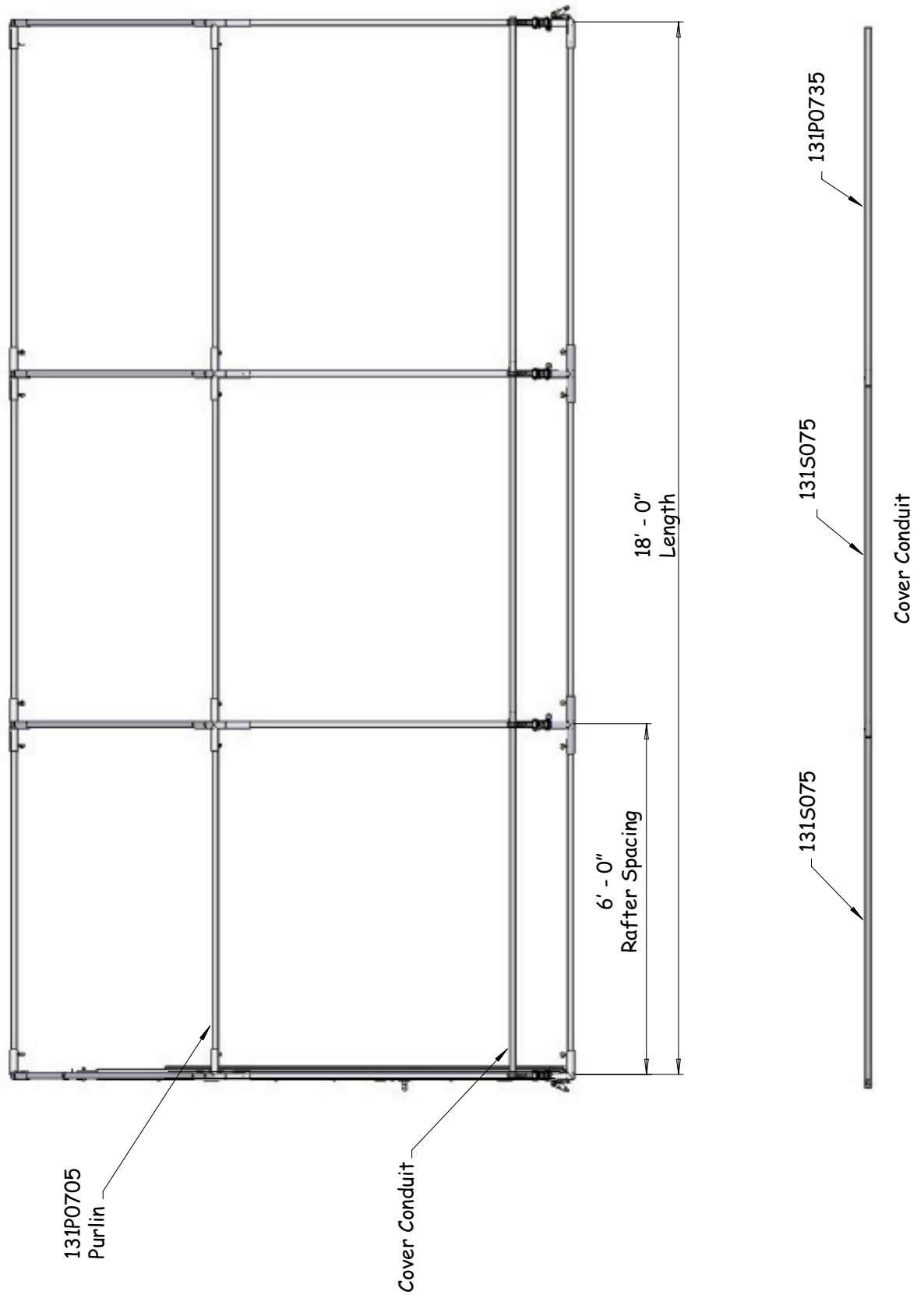


NOTE: 131S075 and 131P0705 are used on the back rafter only.
See Front End Wall details.

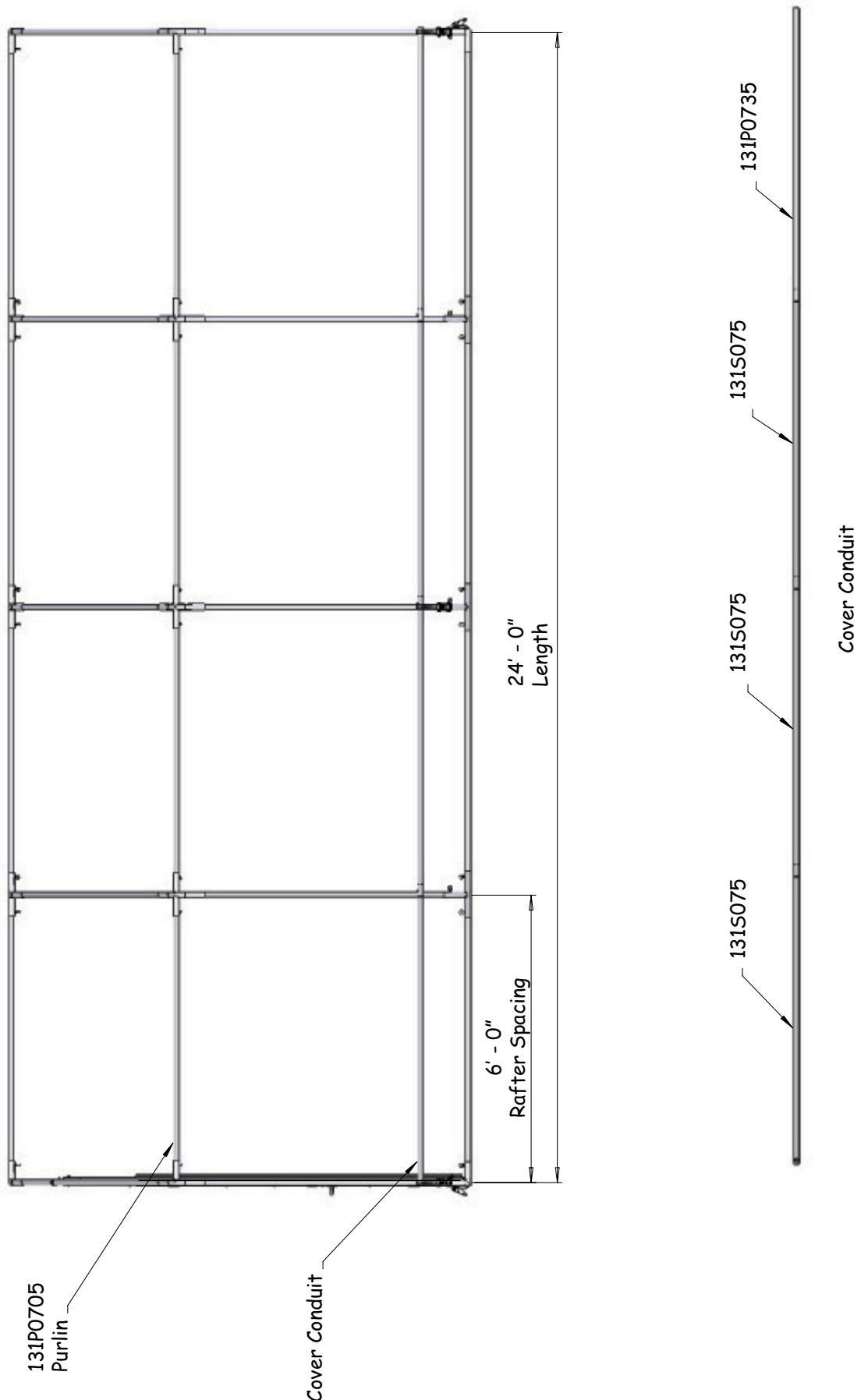
SIDE PROFILE - 105680



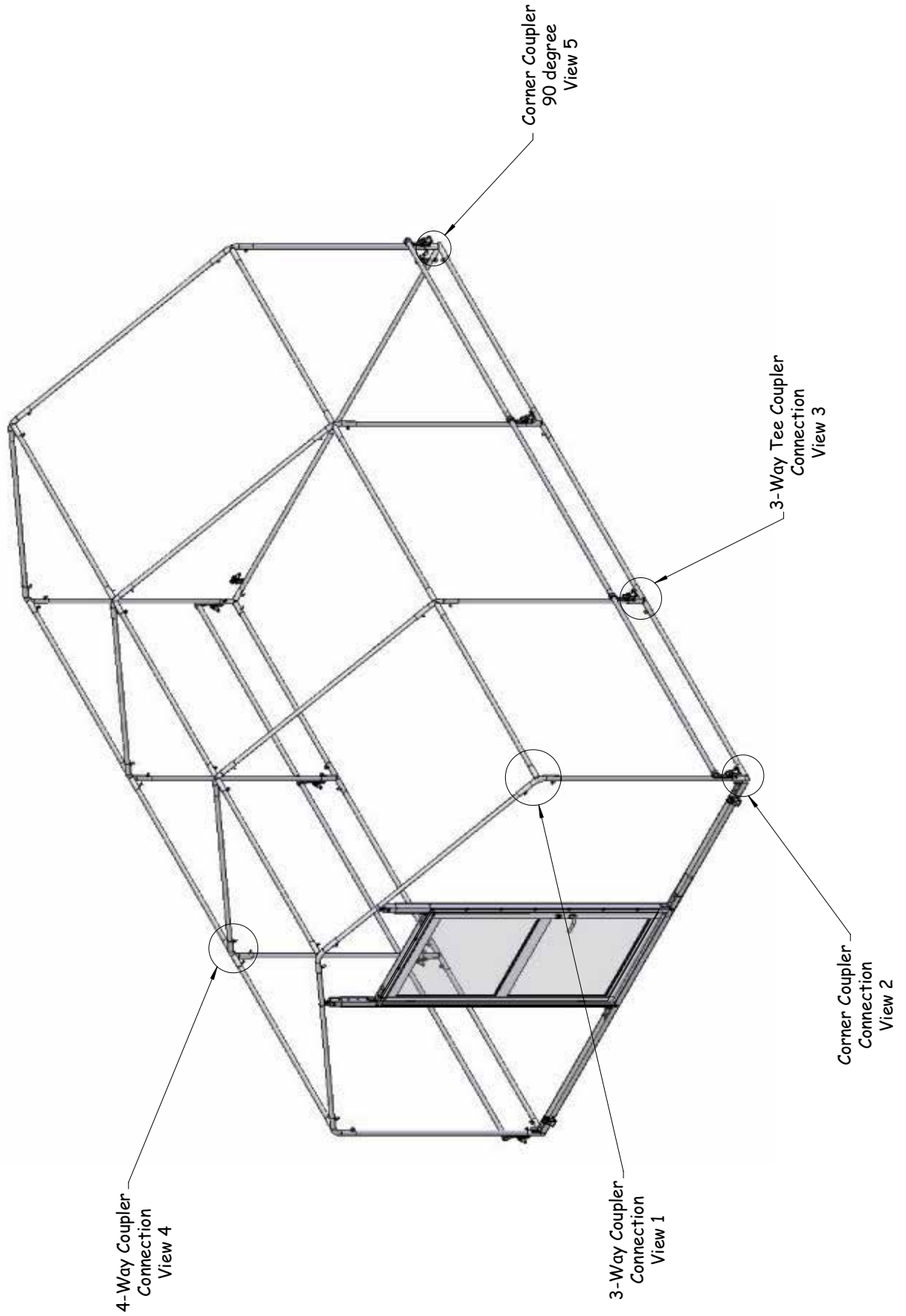
SIDE PROFILE - 105681



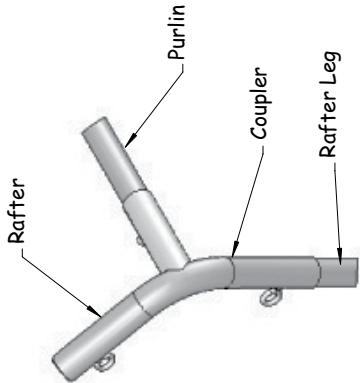
SIDE PROFILE - 105682



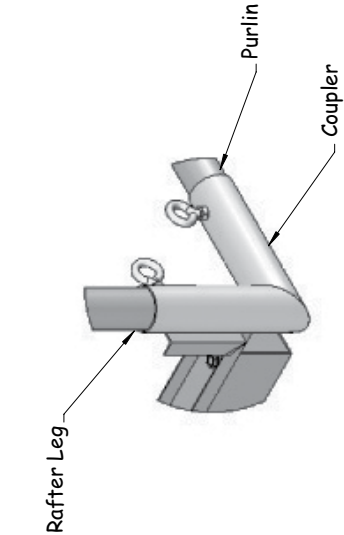
CONNECTIONS



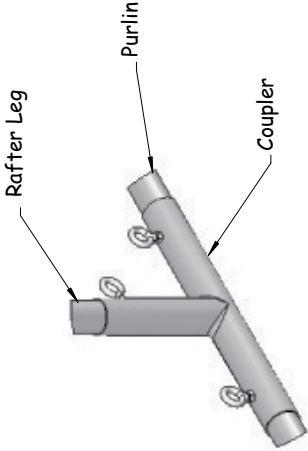
CONNECTION DETAILS



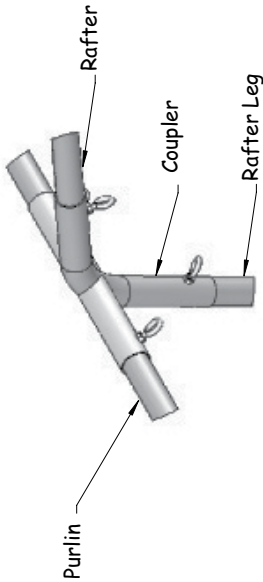
View 1
3-Way Coupler Connection



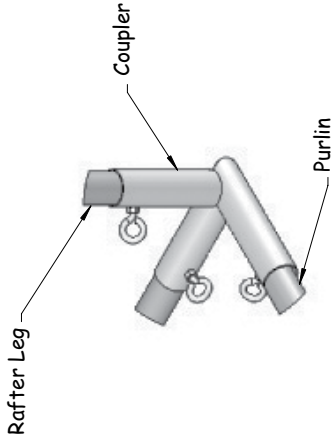
View 2
Corner Coupler Connection



View 3
3-Way Tee Coupler Connection

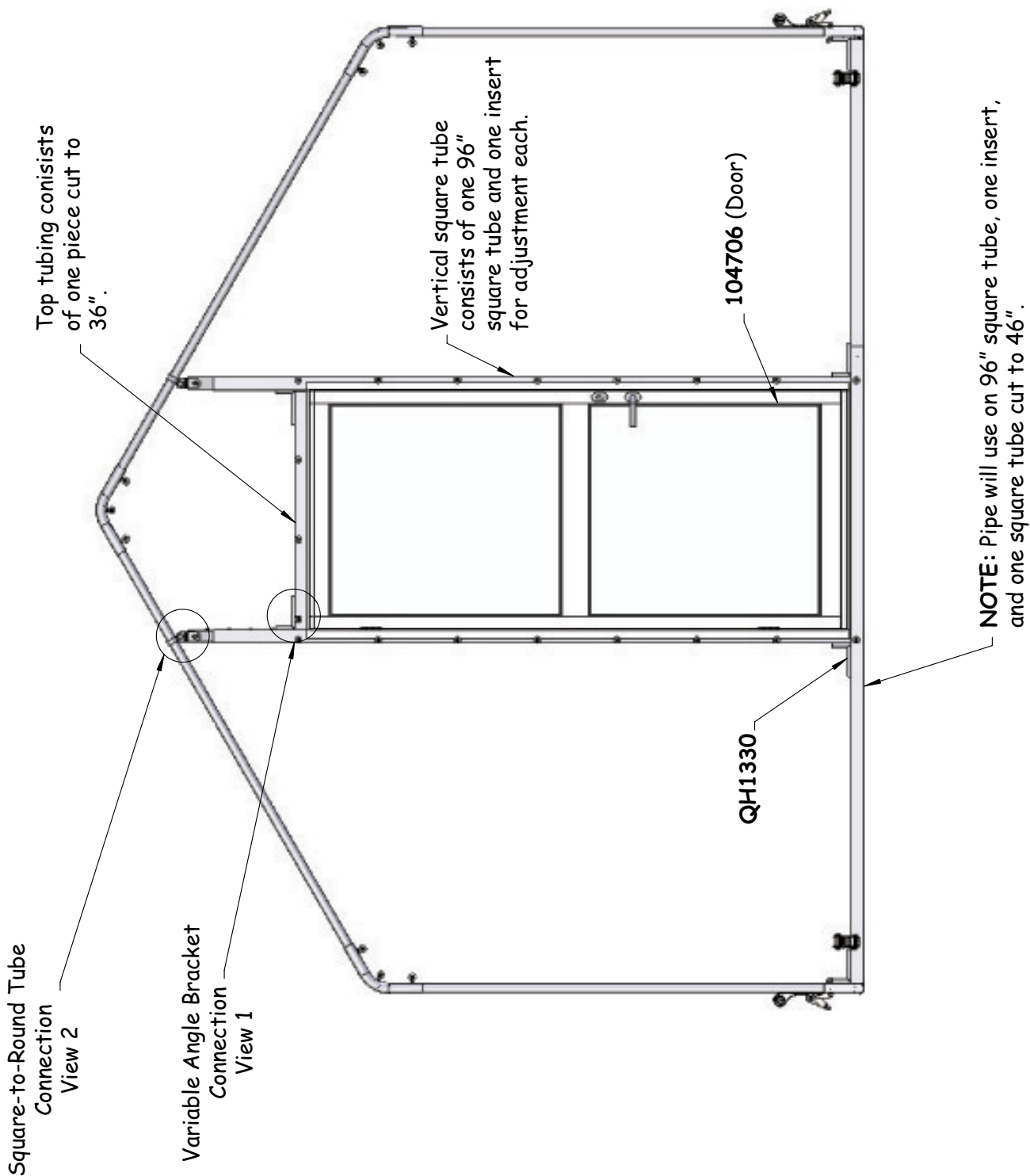


View 4
4-Way Coupler Connection

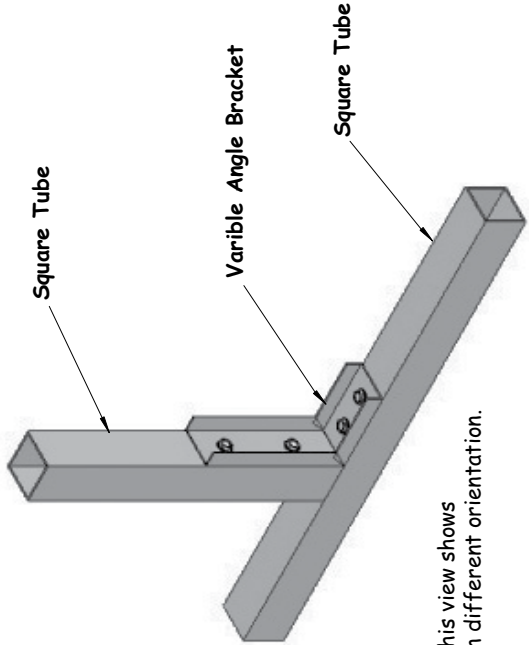


View 5
Corner Coupler 90 degree Connection

END FRAMING - FRONT

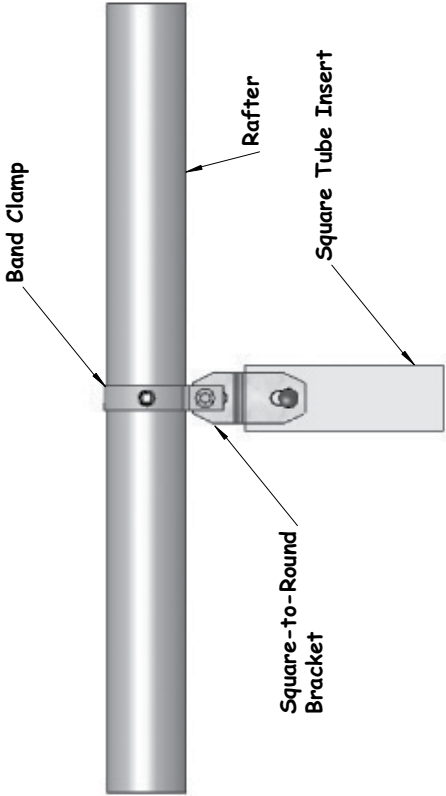


END FRAMING - CONNECTIONS



NOTE: This view shows bracket in different orientation.

View 1
Variable Angle Bracket
Connection



View 2
Square-to-Round Tube
Connection

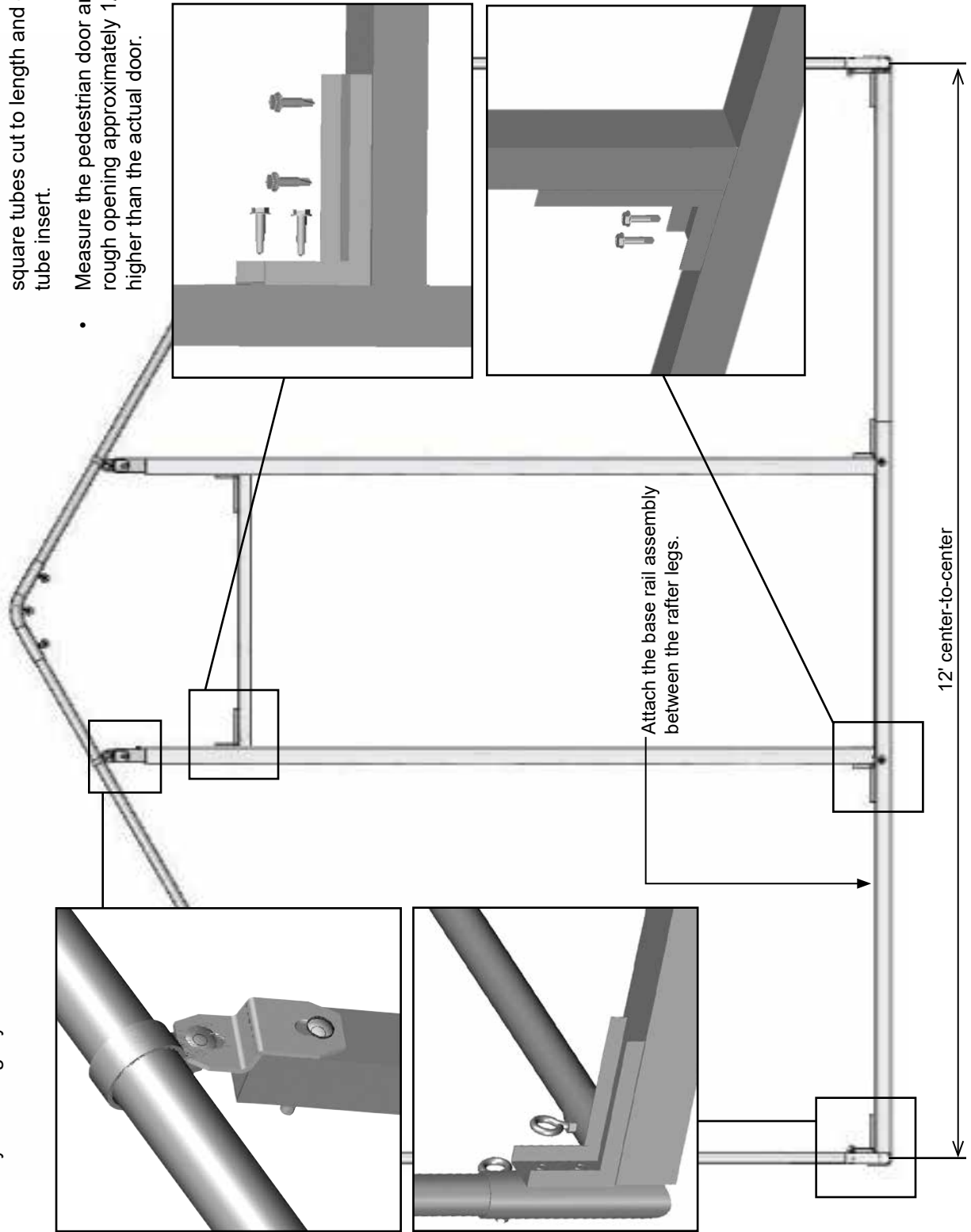
END PANEL DIAGRAM

End Wall Diagram (12' Wide)
with a Pedestrian Door*

NOTES:

- Pedestrian door is centered in the end wall.
- End wall base rail consists of two (2) 96" square tubes cut to length and one (1) 16" tube insert.
- Measure the pedestrian door and frame the rough opening approximately 1/2" wider and higher than the actual door.

* Frame shown may differ slightly from actual frame.



Attach the base rail assembly between the rafter legs.

12' center-to-center



This page is reserved for customer notes.