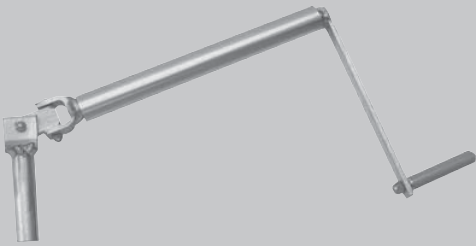


# Hand Crank Assembly Instructions



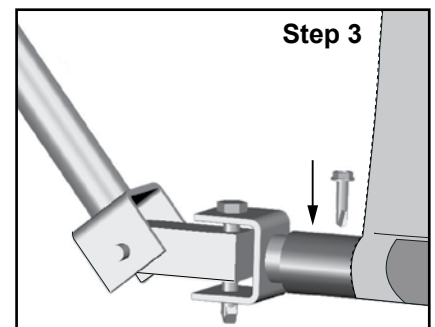
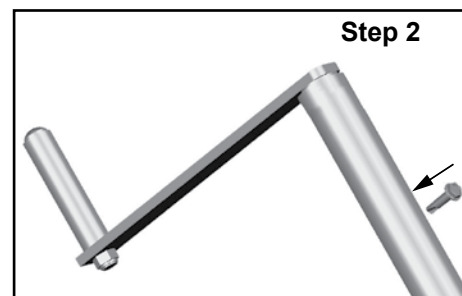
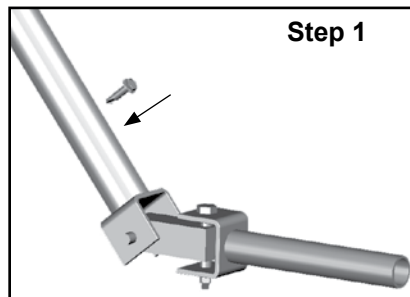
- ♦ Perfect for fast and easy roll up curtain roll ups. Easy to use, simple installation.
- ♦ Can be installed on side or ends of most greenhouse and animal agricultural buildings.
- ♦ Longer lengths are ideal for high overhead doors.
- ♦ Includes handle, pipe and universal joint.
- ♦ Fits 1.315" OD pipe.

## Assembly Installations

Gather the parts:

- Extension Pipe
- Spin Handle
- Universal Joint
- Tek screws

1. Using the extension pipe, secure the pipe to one end of the universal joint using a Tek screw.
2. Add the spin handle to the opposite end of the extension pole and secure the connection with a Tek screw.
3. The handle crank assembly is now complete and can be attached to your curtain, roll-up door or side panel. Sample below shows attaching the assembly to a roll-up door using a Tek screw.



*If you have any questions, please call us toll free at 1-800-FARMTEK.*