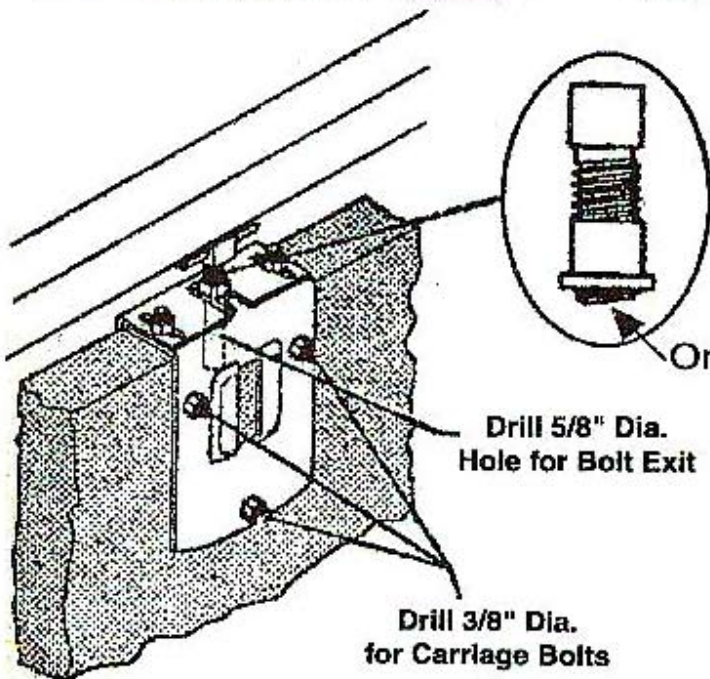


Installation of STK #100345 Hanger

Use with Track



For 1-1/2" to 2-1/4" doors
weighing up to 400 lbs.

Packed with bolts for
doors thru 1-3/4" thick.

Bolts must extend thru adjusting nut
to assure maximum strength.

One thread minimum exposed at all times.

Drop straps can be mortised flush
with top of door if desired.